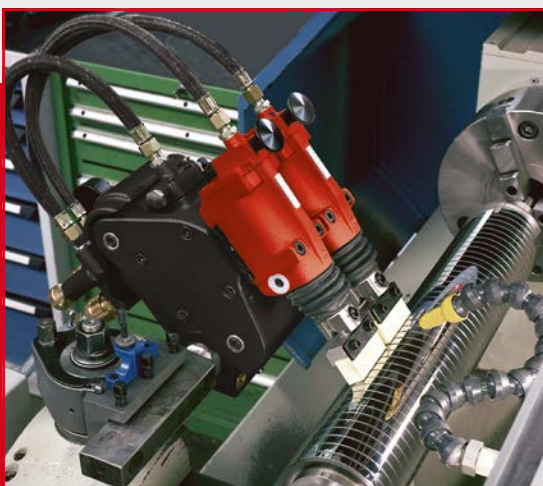


# Superfinishing Attachments

## Series 130/140



Pneumatic superfinishing attachment for mounting on medium and large sized carrier machines for superfinishing of ground and turned surfaces. Well-suited for high machining work on large workpieces with large superfinishing stones. In addition to cylindrical components, the attachment can also be used on flat, lightly convex or lightly concave surfaces and bores.

# Superfinishing Attachments Series 130/140

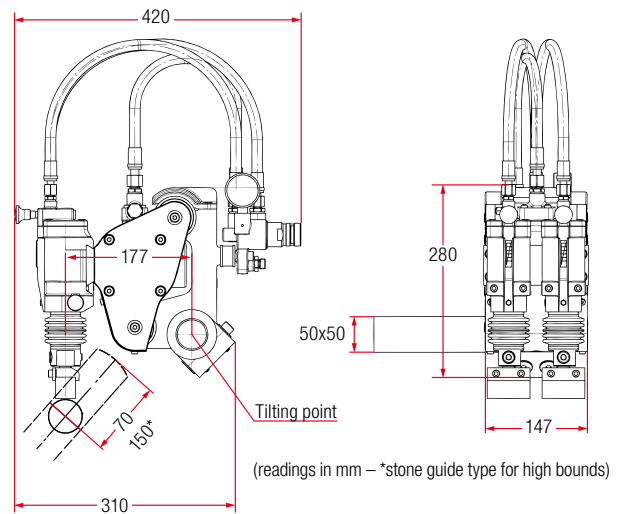
**supfina**

The superfinishing attachments from the series 130/140 are designed for the daily use. The rugged, pneumatically operated oscillator works with resistant transfer elements to ensure balanced running.

The complete oscillator drive runs on precision ball guides which ensures a precise parallel movement to the workpiece surface. The oscillation frequency and the vibration amplitude are adjusted with a valve. The stone guides are actuated pneumatically and the contact pressure of the superfinishing stone is finely adjustable. The wear of the superfinishing tool is automatically compensated.

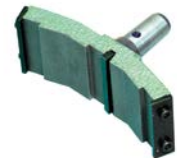
Technical Specifications	Supfina 130	Supfina 140
Frequency DH/min, max	2200	2800
min	2000	2500
Amplitude in mm	±1.5–3	±0.5–1,25
Air pressure in bar	4	4
Air consumption in Nm <sup>3</sup> /h	8–10	8–10
Weight in kg	26	26
Stone guide stroke in mm	25	25
No. of stone guides	2–3	2–3

## Supfina 130



## Accessories

**Double and triple stone holders** are available upon request, for larger workpiece diameter.



**Stone holders** for internal machining of bores with a diameter down to 45 mm and bore depth up to 140 mm.



## Coolant Filter Unit

The superfinishing process requires ample flushing to the work surface. A built in filter ensures that the flushing agent will remain clean.



## Superfinish Know-how

... in all applications with highest economical, ecological and efficient requirements for high-end surface and geometry qualities. You require technology consulting? Contact us.

