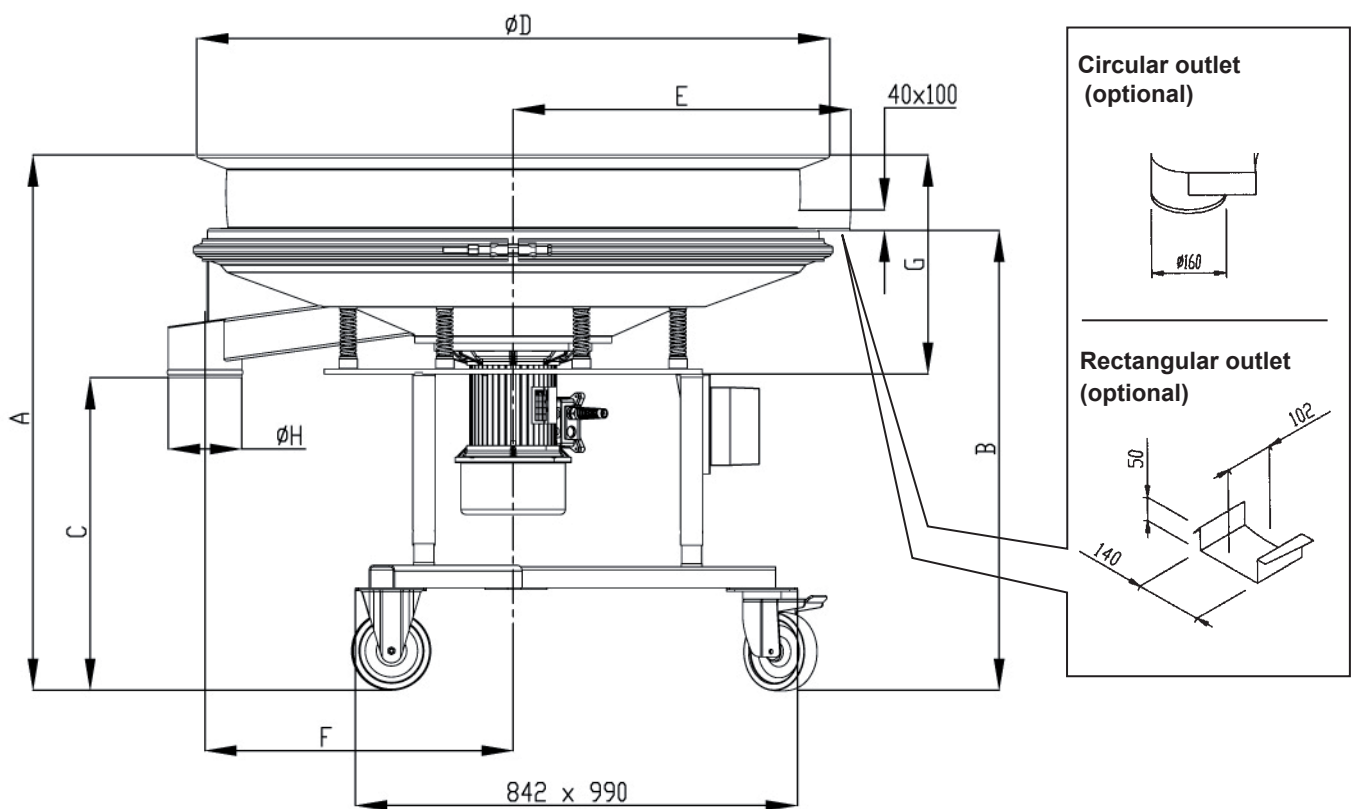


VSB 900-1200 1/Y**GLAZE SCREENING**

TECHNICAL FEATURES	VSB 900 1/Y	VSB 1200 1/Y
Electrical power (kW)	0.73	1.25
Centrifugal force (kg)	1050	1300
Sieving decks	1	1
Mesh surface (m ²)	0.587	0.932
Weight (kg)	120	165

CONSTRUCTION FEATURES

- Trolley made of AISI 304 stainless steel.
- Structure made of AISI 304 stainless steel.
- Rubber plug on the waste outlet.
- Cylindrical upper deck with ring clamping.
- Electrical motovibrator, IP 65 insulation.



Dimensions in mm.

MODEL	A	B	C	ø D	E	F	G	ø H
VSB 900 1/Y	953 ÷ 1153	839 ÷ 1039	585 ÷ 785	ø 992	546	525	380	101.6
VSB 1200 1/Y	1019 ÷ 1219	876 ÷ 1076	595 ÷ 795	ø 1206	651	587	417	140

APPLICATIONS

- On the glazing lines.
- At mill discharge.
- At storage tank discharge.

ADVANTAGES

- High efficiency due to high centrifugal force applied.
- The trolley allows fast and easy moving.
- New motovibrator with 2-year warranty.

The data here indicated are purely indicative and can be modified by IN.TE.SA. without any notice.
Precise values are communicated upon request. Any unauthorized copy of this document will be legally pursued.