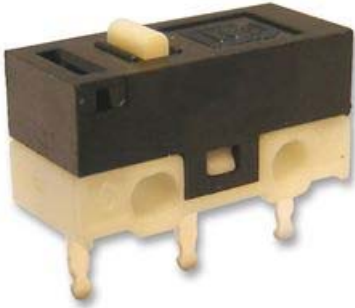
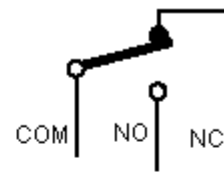
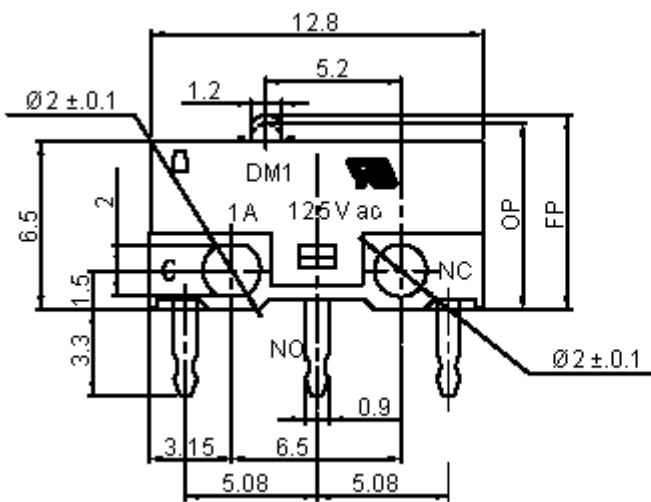


# Microswitches

## Snap Action



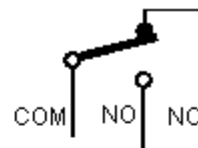
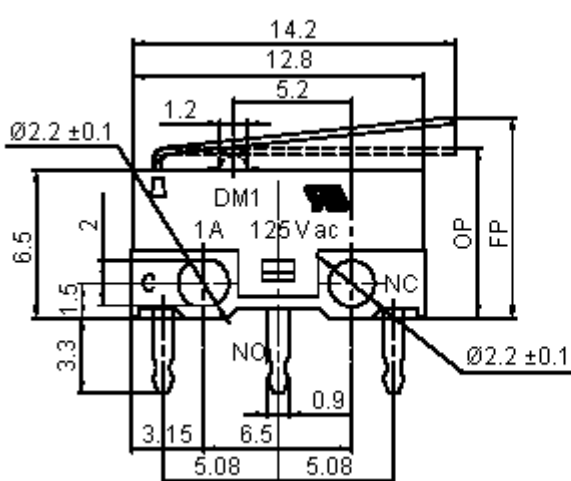
DM1-00P-110-3



Schematic

Dimensions : Millimetres

DM1-01P-30-3



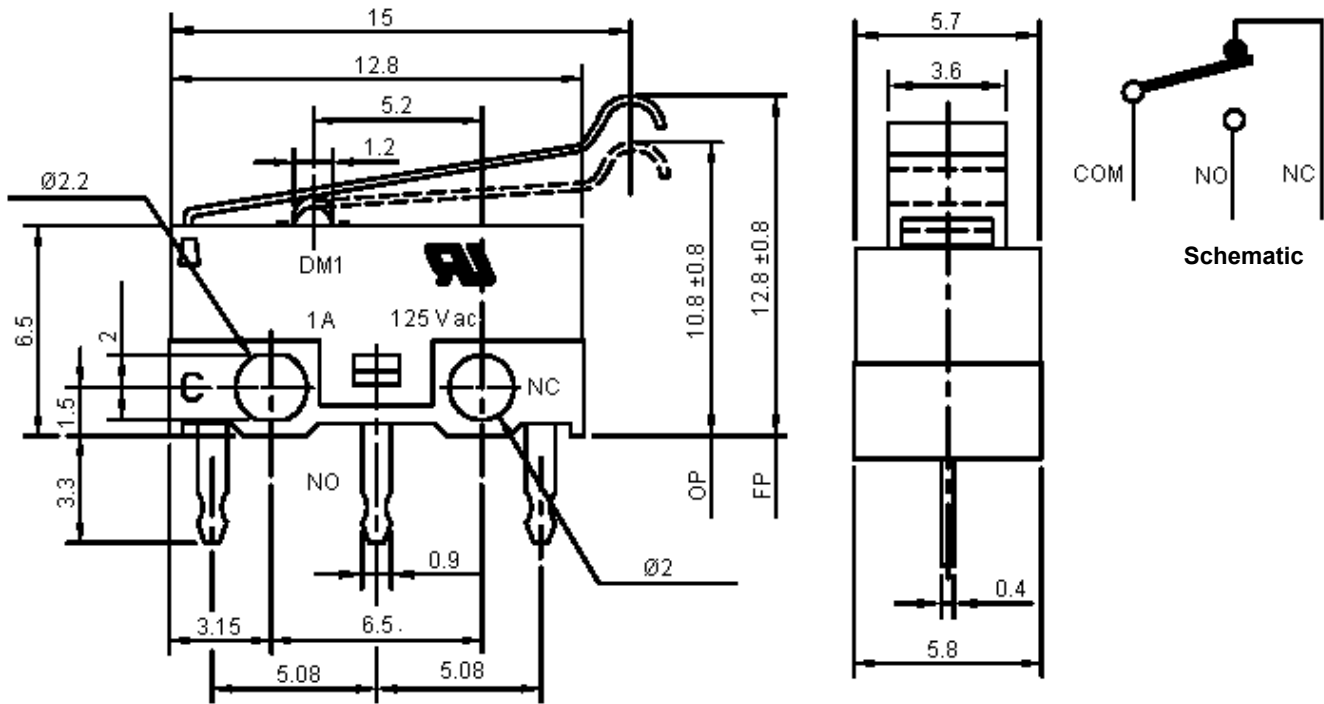
Schematic

Dimensions : Millimetres

# Microswitches

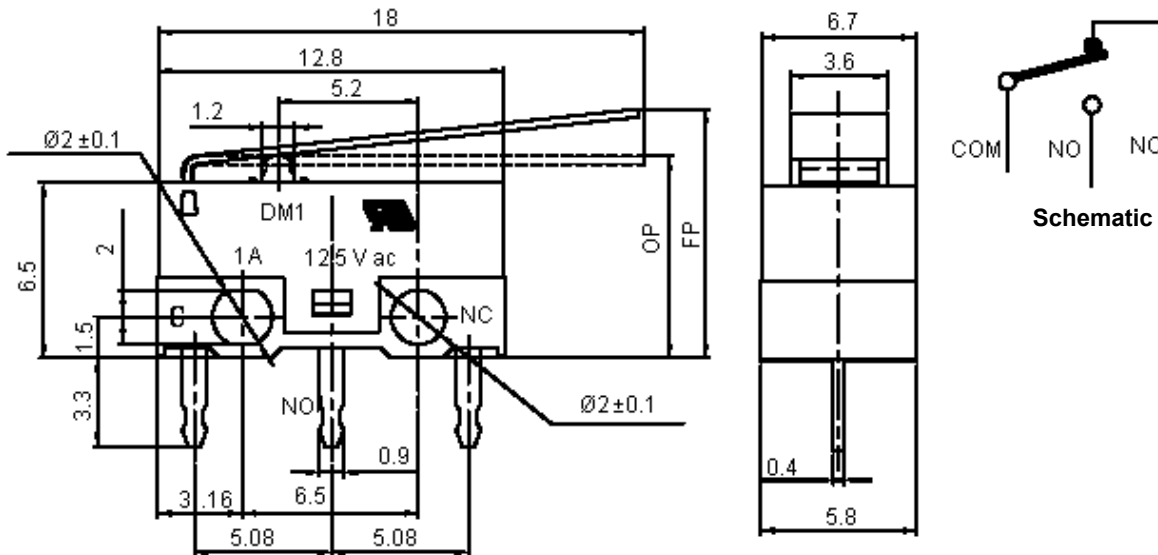
## Snap Action

DM1-02P-30-3



Dimensions : Millimetres

DM1-03P-30-3



Dimensions : Millimetres

# Microswitches



## Snap Action

### Specifications:

Rated Voltage : 125 V ac 1 A, 5 V dc 30 mA  
Contact Resistance :  $\leq 100 \text{ m}\Omega$   
Insulation Resistance :  $\geq 100 \text{ m}\Omega$  (500 V dc)  
Withstand Voltage : 500 V ac 1 minute.  
Operating Temperature :  $-25^\circ\text{C}$  to  $+65^\circ\text{C}$   
Ambient Humidity Used :  $<85\%$  RH

### Specification Table

Description	Mechanical Life	Electrical Life	Free Position	Operating Position	Operating Force	Soldering Temperature	Part Number
Microswitch, SPDT, 1 A, Button	1,000,000 Cycles	10,000 / 1,000,000 Cycles	$7.35 \pm 0.2$	$7 \pm 0.2$	$110 \pm 30 \text{ gf}$	Hand Soldering	DM1-00P-110-3
Microswitch, SPDT, 1 A, Short Lever	500,000 Cycles	10,000 / 500,000 Cycles	$10.4 \pm 0.8$	$8.8 \pm 0.8$	$30 \pm 15 \text{ gf}$		DM1-01P-30-3
Microswitch, SPDT, 1 A, Sim Lever		30,000 / 500,000 Cycles			20 to 50 gf	$245 \pm 5^\circ\text{C}$ 3 Seconds	DM1-02P-30-3
Microswitch, SPDT, 1 A, Long Lever		10,000 / 500,000 Cycles	$12 \pm 0.8$	$9.5 \pm 0.8$	$30 \pm 15 \text{ gf}$	Hand Soldering	DM1-03P-30-3

Dimensions : Millimetres

**Important Notice** : This data sheet and its contents (the "Information") belong to the members of the Premier Farnell group of companies (the "Group") or are licensed to it. No licence is granted for the use of it other than for information purposes in connection with the products to which it relates. No licence of any intellectual property rights is granted. The Information is subject to change without notice and replaces all data sheets previously supplied. The Information supplied is believed to be accurate but the Group assumes no responsibility for its accuracy or completeness, any error in or omission from it or for any use made of it. Users of this data sheet should check for themselves the Information and the suitability of the products for their purpose and not make any assumptions based on information included or omitted. Liability for loss or damage resulting from any reliance on the Information or use of it (including liability resulting from negligence or where the Group was aware of the possibility of such loss or damage arising) is excluded. This will not operate to limit or restrict the Group's liability for death or personal injury resulting from its negligence. Multicomp is the registered trademark of the Group. © Premier Farnell plc 2012.