

Differential pressure switches for air, flue and exhaust gases

Pressure switch for gas

DUNGS[®]
Combustion Controls

LGW...A4
LGW...A4/2

5.08



Technical description

The differential pressure switch LGW...A4 is an adjustable differential pressure switch as per EN 1854 for automatic burner controls.

It is suitable for switching a circuit on, off or over on changes in actual pressure value relative to the set reference value.

The reference value (switching point) is adjusted on a setting wheel provided with a scale. The test nipple is integrated in metal housing as standard.

Application

Differential pressure monitoring in firing, ventilation and air-conditioning systems. Differential pressure switches: suitable for air, flue and exhaust gases. Pressure switches: suitable for gases of families 1,2,3 and other neutral gaseous media.

Approvals

EC type test approval as per EC Gas Appliance Directive:

LGW...A4	CE-0085 AQ 0673
LGW...A4/2	CE-0085 AQ 0673

EC type test approval as per EC Pressure Equipment Directive:

LGW...	CE0036
--------	--------

Pressure switch Class "S" as per EN 1854.

Approvals in other important gas-consuming countries.

Functional description

Differential pressure switch in pressure and vacuum ranges. The differential pressure acts via the diaphragm against the force of the setting spring on the microswitch. The pressure switch operates without any auxiliary power.

Differential pressure switch

LGW...A4

The switching mechanism responds to differential pressure which acts between the two pressure chambers. It switches an electric circuit on, off or over when the set reference value is exceeded or undershot.

Overpressure switch LGW...A4

Pressure connection G 1/4

Single-acting pressure switch in the overpressure range.

The switching mechanism responds if there is an overpressure which switches on, off or over to an electric circuit if the set reference value is exceeded or undershot.

The pressure connection G 1/8 may not be closed.

Vacuum switch LGW...A4

Pressure connection G 1/8

Single-acting pressure switch in the low pressure range. The switching mechanism responds to vacuum which switches an electric circuit on, off or over when the set reference value is exceeded or undershot. The pressure connection G 1/4 may not be closed.

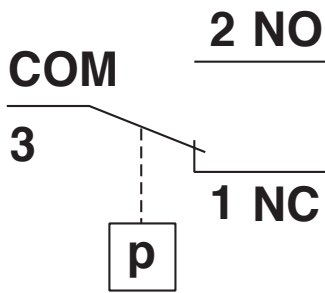
LGW...A4 switching function

As pressure rises:

1 NC opens, 2 NO closes

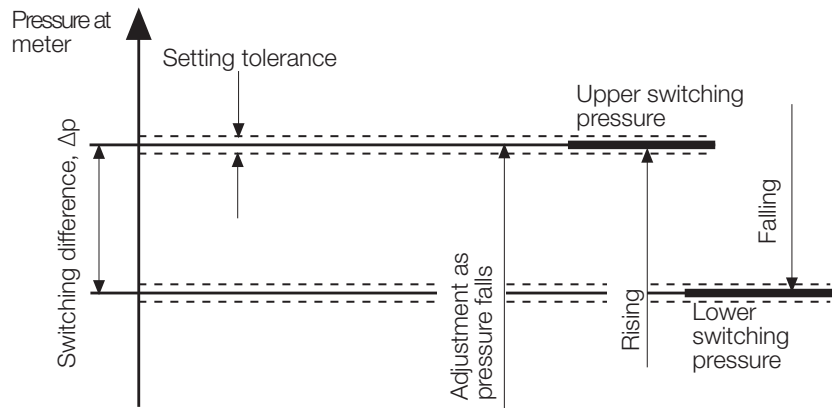
As pressure falls:

1 NC closes, 2 NO opens



Definition of switching difference Δp

The switching difference Δp is the pressure difference between the upper and lower switching pressures.



LGW...A4, Design: Clear cover

Protection class: IP 54

IP 54

5 Protection against ingress of solid particles $\varnothing \geq 1$ mm.
Protection against access to hazardous parts using $\varnothing \geq 1$ mm wire
Complete contact protection

4 Protection against a water jet.
No hazardous conditions may result.

LGW...A4/2, Design: Metal housing

Protection class: IP 65

IP 65

6 Protection against the entry of dust (dust sealed).
Protection against access to hazardous parts using $\varnothing \geq 1$ mm wire
Complete contact protection

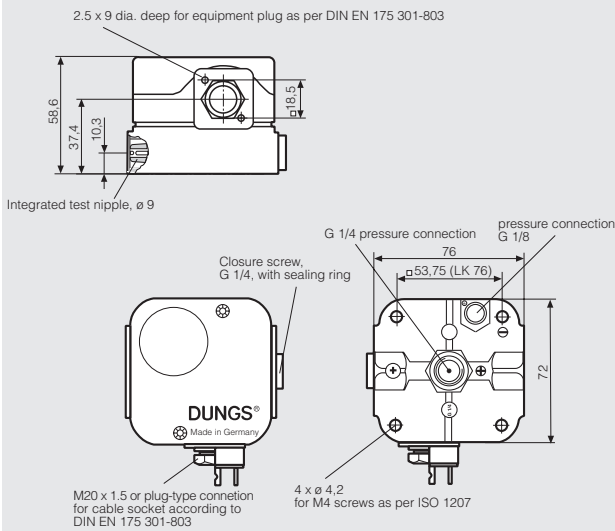
5 Protection against a water jet from a nozzle directed at the unit (housing) from any directions
No hazardous conditions may result (water jet).

Specifications

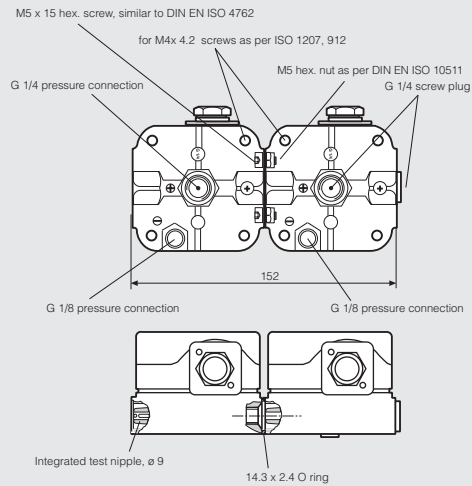
Max. operating pressure	LGW 3 A4 - LGW 150 A4 LGW 3 A4/2 - LGW 150 A4/2	500 mbar (50 kPa) 500 mbar (50 kPa)
Pressure connection	P+: G 1/4 female thread ISO 228 on centre of housing underside: gas or air P+: G 1/4 screw plug on side of housing: gas or air P-: G 1/8 female thread ISO 228 on side of housing underside: only air	
Measuring connection	Instrument gland integrated in metal housing, \varnothing 9	
Temperature range	Ambient temperature: -15 °C to +70 °C Medium temperature: -15 °C to +70 °C Storage temperature: -30 °C to +80 °C	
Materials	<p>LGW...A4</p> <p>Housing base aluminum die casting Hood Polycarbonate Switch Polycarbonate Diaphragms NBR Switching contact Standard: Ag Optional: Ag gold-plated (Au), suitable for DDC applications: 24 VDC; 0.02 A</p> <p>LGW...A4/2</p> <p>Housing base Diecast aluminum Hood Extrusion cast zinc, powder-coated Switch Polycarbonate Diaphragms NBR Switching contact Standard: Ag Optional: Ag gold plated (Au), Suitable for DDC applications: 24 VDC; 0.02 A</p>	
Switching voltage	Ag contact Au contact	AC eff. min. 24 V max. 250 V DC min. 24 V max. 48 V DC min. 5 V max. 24 V
Nominal current	Ag contact Au contact	AC eff. 10 A DC 20 mA
Switching current	Ag contact Au contact	AC eff. min. 20 mA max. 6 A bei $\cos \varphi$ 1 AC eff. min. 20 mA max. 3 A bei $\cos \varphi$ 0,6 DC min. 20 mA max. 1 A DC min. 5 mA max. 20 mA
Electrical connection	Standard Special design	at screw terminals via M20 x 1.5 cable gland plug connection for line sockets as per DIN EN 175 301-803, 3-pin with protection contact
Degree of protection	LGW...A4 LGW...A4/2	IP 54 as per IEC 529 (EN 60529), (transparent hood) IP 65 as per IEC 529 (EN 60529), (metal housing)
Adjustment	If pressure increases in vertical installation position. Optionally adjustment for rising or falling pressure possible on site. If installation position deviates, note change in switch point.	
Setting tolerance	\pm 15% switch point deviation referred to reference value and installation in vertical position.	
Reference value setting device	Standard: blue Version "Y": Yellow	

Dimensions [mm]

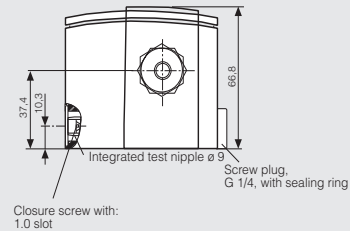
LGW... A4



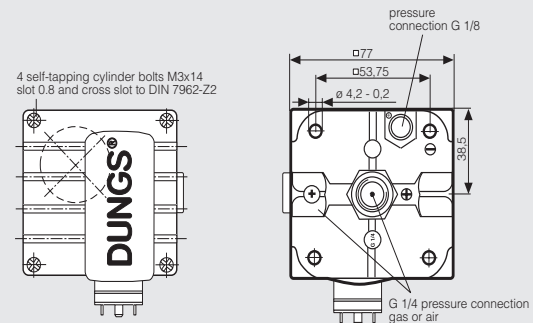
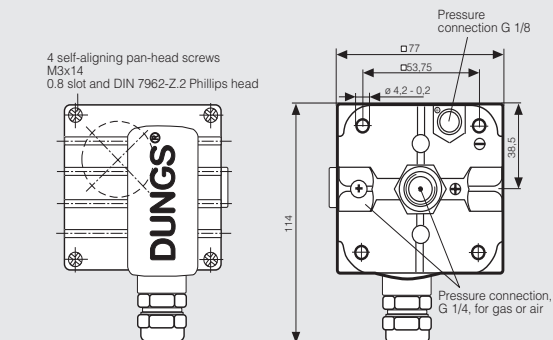
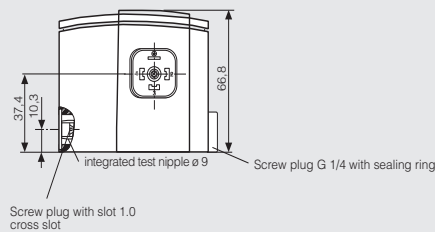
LGW... / ...A4



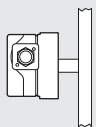
LGW... A4/2 with metal housing, cable gland M 20 x 1.5



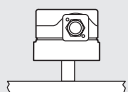
LGW... A4/2 with metal housing, plug-in connection for sockets accord. to DIN EN 175 301-803



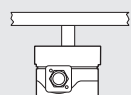
Installation position



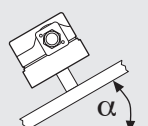
Standard installation position



When installed horizontally, the pressure switch switches at a pressure higher by approx. 0.5 mbar

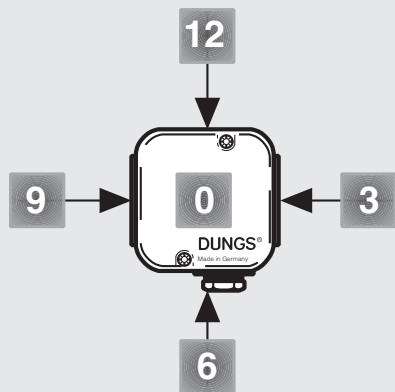


When installed horizontally overhead, the pressure switch switches at a pressure lower by approx. 0.5 mbar



When installed in an intermediate installation position, the pressure switch switches at pressure deviating from the set reference value by max. ± 0.5 mbar.

Designation



GW 500 A4

Ag-M-MS9-V0-VS3

Pressure connection

V0 Pressure connection G 1/4 position 0
V3 Pressure connection G 1/4 position 3

Verschlußschraube

VS0 Verschlußschraube an Position 0
VS3 Verschlußschraube an Position 3

Pressure connection

V0 Pressure connection G 1/4 position 0

Meßstutzen nur GW 500 A4 (600 mbar)

MS3 Meßstutzen an Position 3
MS9 Meßstutzen an Position 9
M9 Meßstutzen, offen. Position 9

Electrical connection

M Cable gland M20 x 1,5
G 3 Equipment plug

Contact material

Ag silver
Au silver, gold-plated

Adjustment ranges [mbar]

GW 500 A4 100-500

Pressure switch type

GW...A4 Clear cover, PC, (IP 54)
Pressure switch switches when the pressure exceeds or drops below the adjusted setpoint.

GW...A4/2 Metal housing, powder-coated (IP 65)
Differential pressure switch switches when the pressure exceeds or drops below the adjusted setpoint.

Order example

Pressure switch design

LGW...A4 differential pressure switch

Setting range

30 - 150 mbar

Contact material

Ag

Electrical connection

Cable gland M20 x 1.5

Test nipple

MS 9

Pressure connection G 1/4

V0-VS3; at position 0 and position 3 with closure screw

LGW 150 A4 [Ag-M-MS9-V0-VS3]

Accessories for

LGW...A4 pressure switch

Order No.

Kit: G3 equipment plug, 3-pin + E

219 659

Line sockets, 3-pin + E
grey GDMW

210 318

G 1/4 test nipple
and seal ring (5 x)

230 398

G 1/4 screw plug
and seal ring (5 x)

230 396

Double pressure switch mounting kit (not for /2-version)

213 910

Metal mounting bracket

230 288

G 1/4 screw-in glands, only for air

230 279

G 1/8 screw-in glands, only for air

230 278

Mounting kit glowlamp , 230 V yellow

231 773

Mounting kit glowlamp, 120 V yellow

231 772

Mounting kit display-LED, 24 V yellow

231 774

Mounting kit glowlamp, 230 V green

248 239

Mounting kit display-LED, 24 V green

248 240

**Differential pressure switches
for air, flue and exhaust gases
Pressure switch for gas**

**LGW...A4
LGW...A4/2**

DUNGS®
Combustion Controls

Technical Summary 1 mbar = 100 Pa = 0.1 kPa ≈ 10 mm WS

1 Pa = 0.01 mbar ≈ 0.1 mm WS

Model	Version [Ag-M-MS9-V0-VS3]	Order No.	Setting range [mbar]		Degree of protection	Differential pressure switch Δp [mbar]
LGW...A4 Differential pressure switch	LGW 3 A4	221 590	0,4 - 3		IP 54	≤ 0.3
	LGW 10 A4	221 591	1 - 10		IP 54	≤ 0.5
	LGW 50 A4	221 592	2,5 - 50		IP 54	≤ 1
	LGW 150 A4	221 593	30 - 150		IP 54	≤ 3
Supplied in collective packaging						

Model	Version [Ag-M-MS9-V0-VS3]	Order No.	Setting range [mbar]		Degree of protection	Differential pressure switch Δp [mbar]
LGW...A4/2 Differential pressure switch	LGW 3 A4/2	232 041	0,4 - 3		IP 65	≤ 0.3
	LGW 10 A4/2	232 046	1 - 10		IP 65	≤ 0.5
	LGW 50 A4/2	232 048	2,5 - 50		IP 65	≤ 1
	LGW 150 A4/2	232 050	30 - 150		IP 65	≤ 3
Supplied in separate packaging						

Model	Version [Ag-G3-MS9-V0-VS3]	Order No.	Setting range [mbar]		Degree of protection	Differential pressure switch Δp [mbar]
LGW...A4/2 Differential pressure switch	LGW 3 A4/2	232 716	0,4 - 3		IP 65	≤ 0.3
	LGW 10 A4/2	232 717	1 - 10		IP 65	≤ 0.5
	LGW 50 A4/2	232 718	2,5 - 50		IP 65	≤ 1
	LGW 150 A4/2	232 719	30 - 150		IP 65	≤ 3
Supplied in separate packaging including line socket						

Model	Version [Y-Ag-M-MS9-V0-VS3]	Order No.	Setting range [mbar]		Degree of protection	Differential pressure switch Δp [mbar]
LGW...A4 Differential pressure switch	LGW 3 A4 Y	242 864	0,4 - 3		IP 54	≤ 0.3
	LGW 10 A4 Y	242 865	1 - 10		IP 54	≤ 0.5
	LGW 50 A4 Y	242 866	2,5 - 50		IP 54	≤ 1
	LGW 150 A4 Y	242 867	30 - 150		IP 54	≤ 3
Supplied in collective packaging						

We reserve the right to make any changes in the interest of technical progress.

Head Offices and Factory
Karl Dungs GmbH & Co. KG
Siemensstraße 6-10
D-73660 Urbach, Germany
Telefon +49 (0)7181-804-0
Telefax +49 (0)7181-804-166

Postal address
Karl Dungs GmbH & Co. KG
Postfach 12 29
D-73602 Schorndorf, Germany
e-mail info@dungs.com
Internet www.dungs.com