



Optical smoke detector

Salwico EV-P

Part no. 40020

System: Salwico CS3000, CS4000 and NSAC-1

Description

Salwico EV-P is an analogue addressable smoke detector with an optical chamber.

Salwico EV-P is designed to give early warning for the presence of smoke in the supervised area. At the same time the detector offers a high protection against unwanted alarms.

Salwico EV-P is equipped with *OMNIVIEW 360°* LED indicator giving a clear, full 360° visibility of the red alarm indication.

The technical detector address is set with a special programming tool. Valid addresses are 1-254.

The detector can be placed in harsh environments if it is mounted on a splash proof base. See separate document "Base matrix Salwico units" for information about suitable base plate.

Salwico EV-P has a fine pitch net which improves the response to smoke and also reduces the amount of dust etc entering the detector.

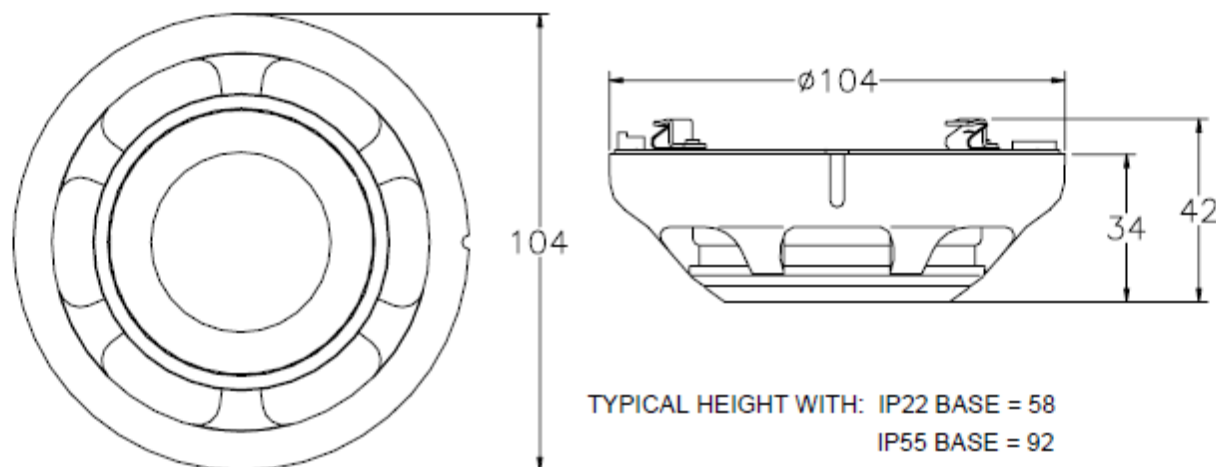
Salwico EV-P is equipped with an output for external indication.

Data

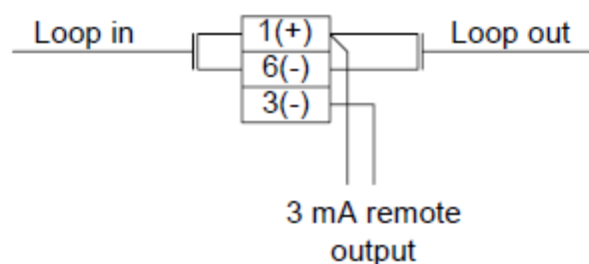
Function	Analogue, addressable, scattering light.
Nominal voltage	24 VDC
Working voltage	20-37 VDC
Working current	0.2 mA
Alarm current	5 mA
Remote output	max 3 mA
Ingress protection	Depends on base
Cable terminals	Depends on base
Temperature range	-25°C to +70°C
Air humidity	0-95% RH
Material	PC/ABS
Colour	White
Weight (w/o base)	~120 g
Standard	EN54-7
Programming tool	Part no. 040300

Important notice: Do not remove the dust cover from the detector until all polluting (dusty) activities are finished and the area has been cleaned.

Dimensions (mm)



Connection



Specifications may be subject to change for improvement without prior notice

Data sheet no: 40020.EV-P.08.1.E