

**filter G1/4" ...G1"
series Gold FI04**

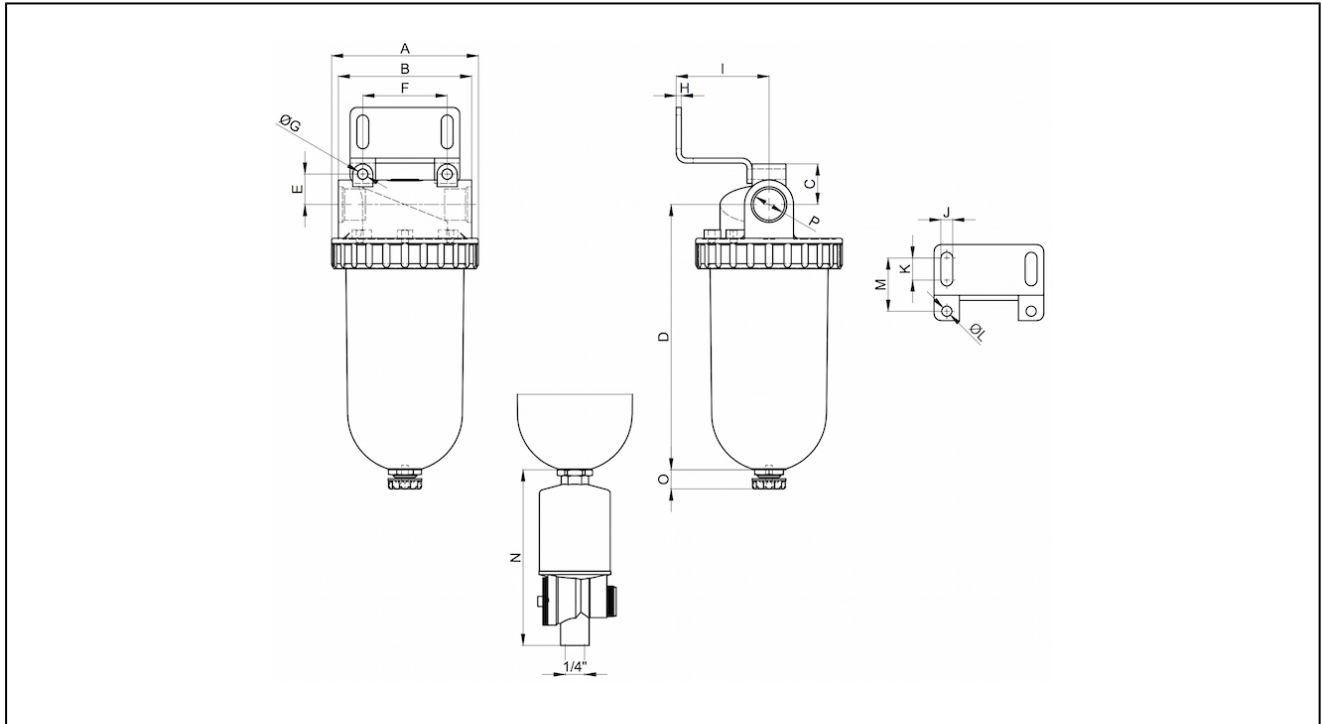


design	centrifugal filter, sinter-filterelement, semi-automatic drain valve
connection	G1/4" ...G1" according to ISO228/1
materials	body zinc die casting, condensate bowl polycarbonat or metal, seal NBR
function	filtering of the compressed air
filter element	5µm respectively 40µm
type of fixing	installation in a pipe system or wall mounting with mounting bracket
mounting position	vertical, drain screw below
medium	compressed air
medium temperature	with plastic bowl 0...+60°C, with metal bowl 0...+60°C (with appropriately conditioned compressed air -10...+60°C)
ambient temperature	with plastic bowl 0...60°C, with metal bowl -10...60°C
inlet pressure	1,5...16bar respectively 1,5...25bar according to table, with automatic drainage valve 4...16bar
flow direction	is marked by an arrow

order code

		FI04 - 14 H - P - A	
connection	1/4"	14	
	3/8"	38	
	1/2"	12	
	3/4"	34	
	1"	10	
flow rate	standard (blank position)		
	high flow rate	H	
bowl	plastic bowl (blank position)		
	plastic bowl with protection cage	P	
	metal bowl	M	
drain valve	semi-automatic drain valve (blank position)		
	automatic valve for drainage of condensate	A	

dimension



connection P	A	B	C	D	E	F	G	H	I	J	K	L	M	N	O	type
G1/4"	57	48	19	116,5	14	38	5,3	3	39,5	5,4	8	M5	24	104	11,5	FI04-14H
G3/8"	57	48	19	116,5	14	38	5,3	3	39,5	5,4	8	M5	24	104	11,5	FI04-38
G3/8"	76	70	22	130,5	16	50	6,2	3	53	7	13	M6	31,5	104	11,5	FI04-38H
G1/2"	87	79	24	157	18	50	6,2	3	55	7	13	M6	31,5	104	11,5	FI04-12H
G3/4"	87	102	32,5	158,5	26,5	50	6,2	3	55	7	13	M6	31,5	104	11,5	FI04-34
G1"	87	90	32,5	158,5	26,5	50	6,2	3	55	7	13	M6	31,5	104	11,5	FI04-10

connection	flow at 6bar* [NI/min]	inlet pressure [bar]	filter element [µm]	weight [approx. kg]	type
G1/4"	800	1...16	5	0,3	FI04-14H
G1/4"	800	1...16	5	0,4	FI04-14H-P
G1/4"	800	1...25	5	0,4	FI04-14H-M
G3/8"	800	1...16	5	0,3	FI04-38
G3/8"	800	1...16	5	0,4	FI04-38-P
G3/8"	800	1...25	5	0,4	FI04-38-M
G3/8"	3100	1...16	40	0,6	FI04-38H
G3/8"	3100	1...16	40	0,8	FI04-38H-P
G3/8"	3100	1...25	40	0,7	FI04-38H-M
G1/2"	4000	1...16	5	0,8	FI04-12H
G1/2"	4000	1...16	5	1,1	FI04-12H-P
G1/2"	4000	1...25	5	0,9	FI04-12H-M
G3/4"	4000	1...16	5	1,4	FI04-34
G3/4"	4000	1...16	5	1,7	FI04-34-P
G3/4"	4000	1...25	5	1,5	FI04-34-M
G1"	4000	1...16	5	1,2	FI04-10
G1"	4000	1...16	5	1,5	FI04-10-P
G1"	4000	1...25	5	1,3	FI04-10-M

*flow rate at input pressure of 6bar and 1bar pressure drop

accessories

designation	type
mounting bracket (completely) for G1/4" and G3/8" (type FI04-38)	MMB04-14H/38
mounting bracket (completely) for G3/8" (type FI04-38H) to G1"	MMB04-38H/10

illustrations are for information only and are non-binding
all designs, configurations, measurements and materials are subject to change without prior notice