



FluidCleaner Mobil FCM 60/100

Description

The FluidCleaner Mobil FCM is a mobile oil service unit and is used for offline filtration when filling systems and when transferring hydraulic and lubricating fluids.

With the FCM, HYDAC is providing a flexible and reliable service unit for conditioning oil, which significantly increases the life expectancy of operating media, components and therefore of entire systems, resulting in reduced operating costs.

Applications

- Hydraulic and lubrication systems in different industries (for example, machine tools, plastic injection moulding machines, paper mills, construction machinery, steel industry, marine & offshore, mobile industry)

Advantages

- Prevents costly component damage and system failures
- Reliable and convenient operation
- Increased oil service life
- Reduction in Life Cycle Cost LCC

Technical specifications

| | Vane pump version | Gear pump version |
|-----------------------------|--|--------------------------------|
| Max. flow rate | FCM 60 = 60 l/min FCM 100 = 100 l/min | |
| Operating pressure | $p_{\max} = 6 \text{ bar}$ | $p_{\max} = 10 \text{ bar}$ |
| Viscosity range | 15 ... 400 mm ² /s | 15 ... 1000 mm ² /s |
| Permitted operating fluid | Mineral oil (DIN 51424) | |
| Fluid temperature | -10 ... 80 °C | |
| Ambient temperature | -10 ... 40 °C | |
| Seals, gaskets | NBR (Option: FPM) | |
| Protection class | IP 55 | |
| Power cable, length | 10 m | |
| Connections/Length of hoses | NW 38 (1 1/2") / 2.5 m NW 25 (M 36x2) / 4 m | |
| Weight | 135 kg (FCM 60) | 145 kg (FCM 100) |

Model code

FCM **100** **L** **N** **3B03** **C/** **S5D5-V**

Filtration unit
FluidCleaner Mobil

Flow rate
060 = 60 l/min
100 = 100 l/min

Versions
L = vane pump without change-over (standard)
F = vane pump with change-over
K = gear pump without change-over
G = gear pump with change-over

Connection voltage
M* = 230 V / 50 Hz (1 Ph + PE)
N = 400 V / 50 Hz (3 Ph + N + PE)
S = 500 V / 50 Hz (3 Ph + PE)
X = other voltage

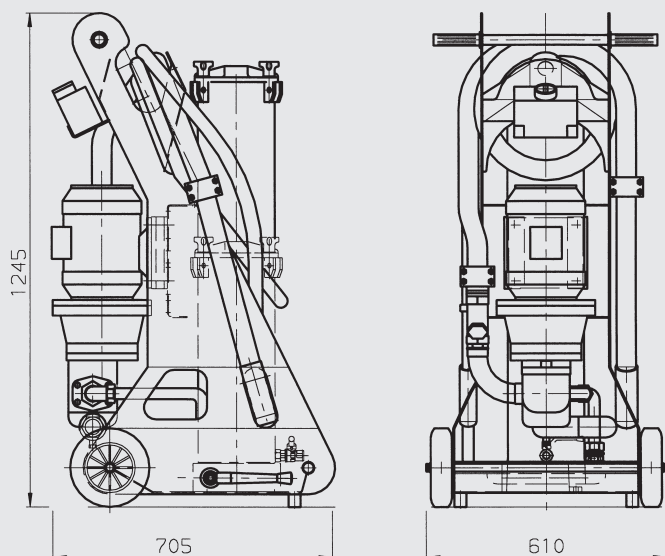
Filter design
2 = filter size 1300
3 = filter size 2600
see next page

Clogging indicator
B = visual differential pressure indicator (Standard)
C = special model - differential pressure indicator electrical (VM2C.0) with automatic motor cut-out when filter is contaminated

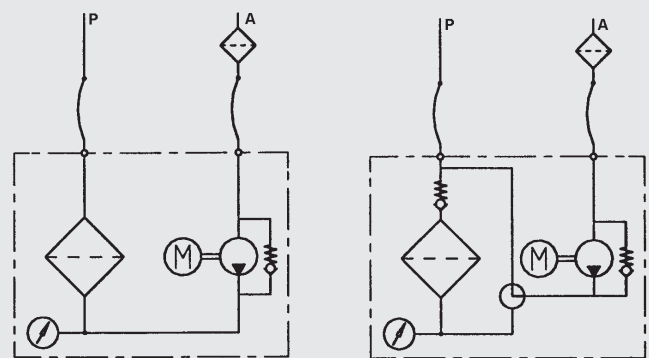
Supplementary details
no details = standard
S5 = suction hose 5 m with lance
D5 = pressure hose 5 m with lance
V = FPM (Viton) seal
SK = suction hose with threaded connection
DK = pressure hose with threaded connection

* = for type FCM 60 (1.5 kW) only

Dimensions



Hydraulic circuit diagram

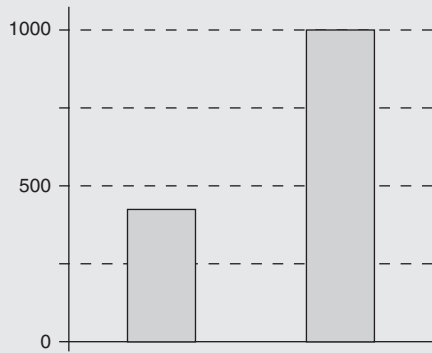


Standard model

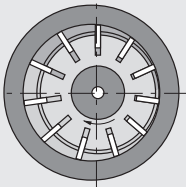
Model with change-over

Versions

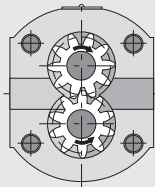
Viscosity [mm²/s]



Vane pump
(standard)



Gear pump



Replacement elements

| Filter size | Filtration rating | Element type | Part No. |
|-------------|-------------------|------------------------------|-------------------|
| 2 | 3 µm | 1300 R 003 BN4HC-/KB (-V-KB) | 1263059 (1263760) |
| 2 | 5 µm | 1300 R 005 BN4HC-/KB (-V-KB) | 1263060 (1263761) |
| 2 | 10 µm | 1300 R 010 BN4HC-/KB (-V-KB) | 1263061 (1263762) |
| 2 | 20 µm | 1300 R 020 BN4HC-/KB (-V-KB) | 1263062 (1263763) |
| 2 | 40 µm | 1300 R 040 AM-/KB | 1267699 |
| 2 | 10 µm | 1300 R 010 BN4AM-/KB (-V-KB) | 1270010 (1276060) |
| 2 | 3 µm | 1300 R 003 BN/AM-/KB (-V-KB) | 1267991 (1271839) |
| 3 | 3 µm | 2600 R 003 BN4HC-/KB (-V-KB) | 1263071 (1263784) |
| 3 | 5 µm | 2600 R 005 BN4HC-/KB (-V-KB) | 1263072 (1263785) |
| 3 | 10 µm | 2600 R 010 BN4HC-/KB (-V-KB) | 1263073 (1263786) |
| 3 | 20 µm | 2600 R 020 BN4HC-/KB (-V-KB) | 1263074 (1263787) |
| 3 | 40 µm | 2600 R 040 AM-/KB | 306899 |
| 3 | 3 µm | 2600 R 003 BN/AM-/KB (-V-KB) | 1268232 (1275329) |
| 3 | 10 µm | 2600 R 010 BN/AM-/KB | 1276840 |

Selection table for motor-pump unit

| Version | FCM 60 | FCM 100 |
|-----------|--------|---------|
| Vane pump | 1.5 kW | 2.2 kW |
| Gear pump | 2.2 kW | 3.0 kW |