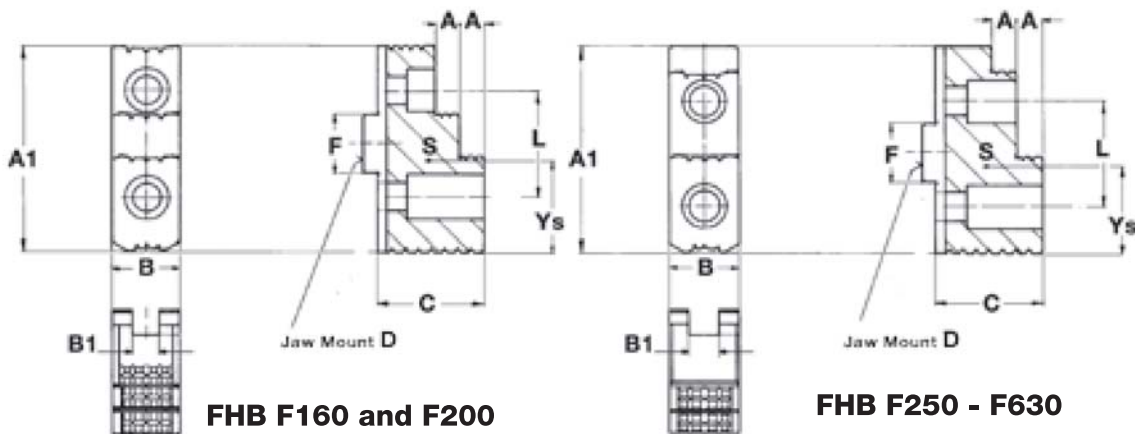


The FGB-FHB jaw set is used for gripping unmachined or rough machined workpieces. The hard FHB top jaws have serrated gripping surfaces to increase the grip between the top jaws and the workpiece. The gripping surfaces are ground in the chuck under gripping force in order to increase concentricity. To maintain this concentricity, the top jaw should not be removed from the base jaw.



Chuck Size	Max Swing (dia)	Jaw Style	Nominal Dimension						Part No.		A1	B1	Ys	Weight Per Jaw (kg)
			A	B	C	D	F	L	Base Jaw FGB	Top Jaw FHB				
175 - 42	234	160	7.5	20	24	F160	18	32	D180567000	D1070016624	67	8	33.9	0.22
200 - 45	273	200	10	22	35	F200	20	40	D180577000	D1070021624	75	10	40.3	0.34
250 - 72	346	250	14	26	40	F250	20	40	D180588000	D1070026524	90	12	48.5	0.74
315 - 82	377	250	14	26	40	F250	26	54	D180588000	D1070026524	90	12	48.5	0.74
400 - 92	462	315	15	32	46	F315	30	60	D180596000	D1070026524	106	18	55.3	2.24
500 - 125	586	400	20	45	52	F400	40	76	D180606000	D1070038524	128	18	75.5	3.60
630 - 125	690	400	20	45	52	F400	40	82	D180606000	D1070038524	145	24	75.5	3.60

Gripping ranges for FHB jaws can be found on FSTB page.