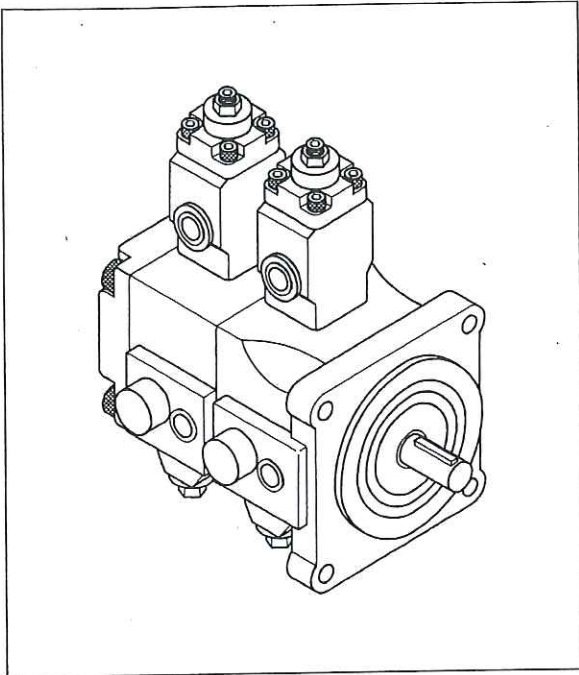


# HVP-VCC1K-F\*\*A\*\*A VARIABLE DISPLACEMENT DOUBLE PUMP



## HOW TO ORDER

### HVP-VCC1K-F\*\*A\*\*A

Characteristics of Delivery and Pressure Range of Cover Side Pump

Characteristics of Delivery and Pressure Range of Shaft Side Pump

- 1: 0.5~1.8 Mpa (5~18 kgf/cm<sup>2</sup>)
- 2: 1.5~3.5 Mpa (15~35 kgf/cm<sup>2</sup>)
- 3: 3.0~5.5 Mpa (30~55 kgf/cm<sup>2</sup>)
- 4: 5.0~7.0 Mpa (50~70 kgf/cm<sup>2</sup>)

Nominal No-Load Delivery of Cover Side Pump  
26, 30, 40, l/min at 1800 rpm

Nominal No-Load Delivery of Shaft Side Pump  
26, 30, 40, l/min at 1800 rpm

F : Flange Type

Variable Displacement Double VCC1K Series

Hydraulic Vane Pump

## SPECIFICATIONS

Please refer to Single Pump.

## DIMENSIONAL DRAWINGS

