



**Part no.: 50117255**  
**BTU 200M-D12**  
**Mounting system**



Figure can vary

## Contents

- Technical data
- Dimensioned drawings
- Accessories



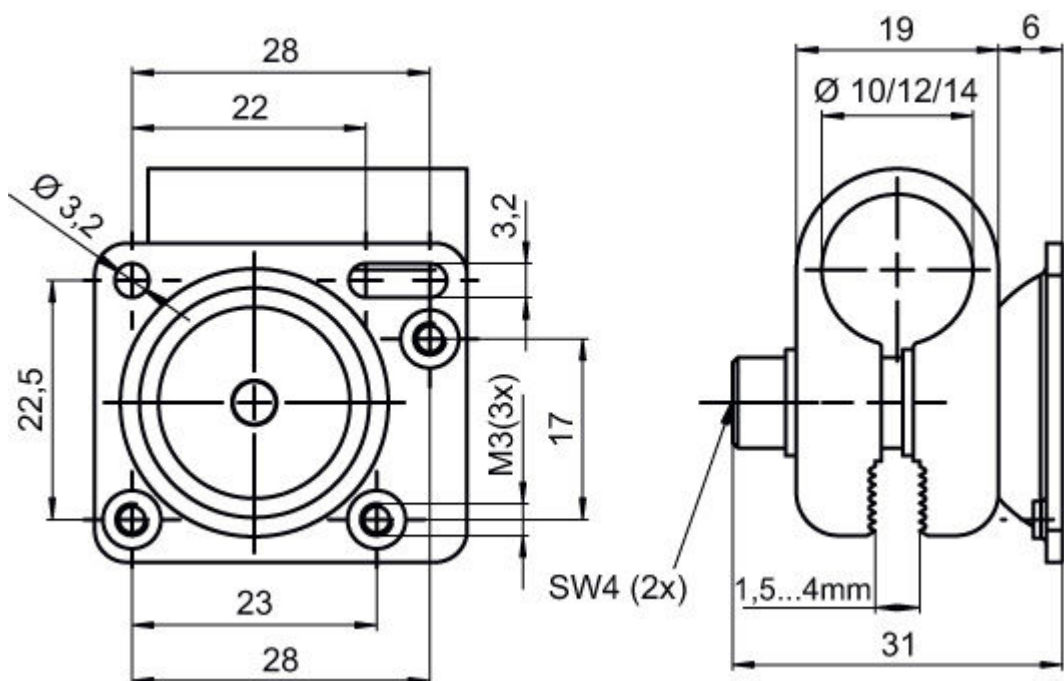
Part no.: 50117255 – BTU 200M-D12 – Mounting system

## Technical data

<b>Basic data</b>	
Contains	2x M3 x 18 screw 2x position washers
Suitable for	18 series sensors 25B series sensors 28 series sensors 3B series sensors 5 series sensors 55 series sensors
<b>Mechanical data</b>	
Standard designation, metal mounting device	Steel, galvanized Aluminum
Design of mounting device	Mounting system
Type of fastening, at system	Sheet-metal mounting For 12 mm rod
Type of fastening, at device	Screw type
Type of mounting device	Adjustable Turning, 360° Clampable
Mounting device material	Metal
<b>Classification</b>	
eCl@ss 8.0	27279202
eCl@ss 9.0	27273701

## Dimensioned drawings


All dimensions in millimeters



Part no.: 50117255 – BTU 200M-D12 – Mounting system

## Accessories

### Micro-triad-type reflectors

	Part no.	Designation	Article	Description
	50040895	MTKS 20x20	Reflector	Design: Rectangular Reflective surface: 20 mm x 20 mm Material: Plastic Base material: Plastic Chemical designation of the material: PMMA8N Fastening: Through-hole mounting, Adhesive