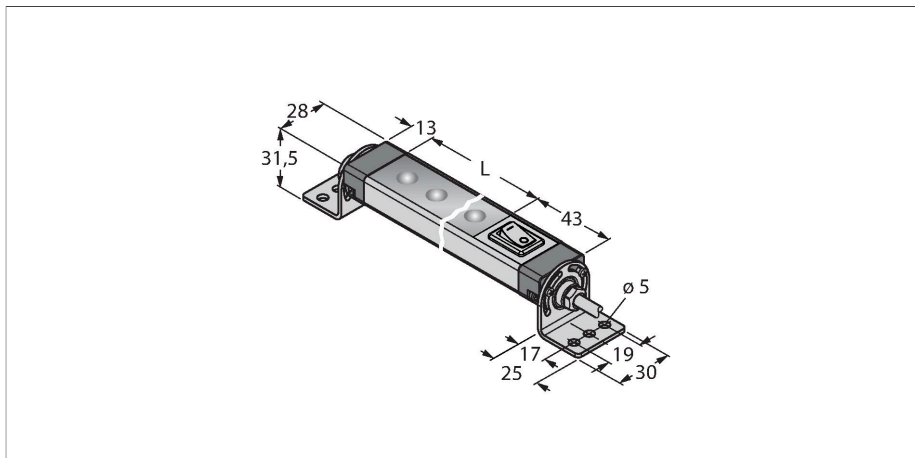


# WLS28-2XW430DXPB

## Work Light – Linear Light



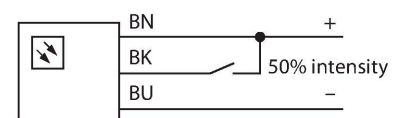
### Technical data

Type	WLS28-2XW430DXPB
ID	3087964
<b>Signal and display data</b>	
Purpose	LED work light
Function	Linear light
Light type	White
Color temperature	6100...+7000 K
Luminous flux lumen	975 lm
Aperture angle degree	60 °
Beam angle	wide beam 40-80°
LED service life (L70)	50000 h
Dimmable	Two-stage
Features of color 1	White, Permanently on, 900 lm
<b>Electrical data</b>	
Operating voltage	12...30 VDC
DC rated operational current	≤ 1010 mA
Input power	12.12 W
<b>Mechanical data</b>	
Cascadable	No
Design	Rectangular, WLS28-2
Dimensions	495.5 x 28 x 25 mm
Housing material	Metal, AL
Window material	Polycarbonate, diffuse
Electrical connection	Cable, 2 m, PVC
Number of cores	3
Ambient temperature	-40...+70 °C

### Features

- ON/OFF switch
- Light beam: 430mm
- Operating voltage: 12...30 VDC
- Protection class: IP50
- Color: White
- Cable, PVC, 2 m
- SMBWLS28RA mounting bracket included in delivery

### Wiring diagram



### Functional principle

The low-energy LED work lights are ideally suited for industrial applications. The color temperature is between 6,000 and 7,100 Kelvin (cool white). Depending on the model, the luminous flux is 325 or 2600 lumen. Some work lights are switched on/off via supply power (10...30 VDC) and some types by means of a button directly at the LED lamp. In addition, the LED can be dimmed to 50% of its light output by activating a high signal on PIN 4, or for the variants with a switch, by means of a further switch position. On some models the light output is continuously dimmable via a PWM signal on pin 4. Cascadable variants are also available. Variants with a clear or diffuse plastic windows, as well as with an aperture angle of 25°.

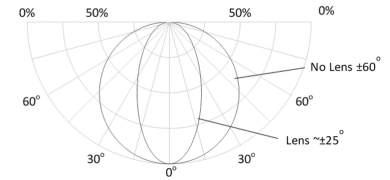
#### Application note:

Cascading with 12 V supply allows total light length of 1.4 m. Cascading with 24 V supply allows total light length of 3.0 m. Cascading with 30 V supply allows total light length of 3.1 m.

## Technical data

At 50% light intensity, the length specifications should be doubled.

Storage temperature	-40...+70 °C
Relative humidity	0...90 %
Protection class	IP50
<b>Tests/approvals</b>	
Approvals	CE, UL



## Accessories

**SMBWLSMAG** 3019574

Magnetic mounting bracket for mounting on metallic surfaces, for mounting WLS28 work lights

**SMBWLS28RA** 3015764

Mounting bracket, angled, metal, for WLS28 work lights, 5 mm drill holes, screw set included

**SMBWLS28SP** 3088063

Snap bracket for mounting WLS28 work lights