

SEGS12A32, SEGS24A32, SEGS48A32, SEGS23A32

Single Low Intensity Obstruction Light



*optional FARADAY CAGE

PHOTOMETRIC STANDARD COMPLIANCE



ICAO ANNEX 14, VOLUME I;
TYPE B - LOW INTENSITY OBSTACLE LIGHT;
CAP 168 - LOW INTENSITY GROUP A.



FAA AC 150/5345-43F
TYPE L-810.

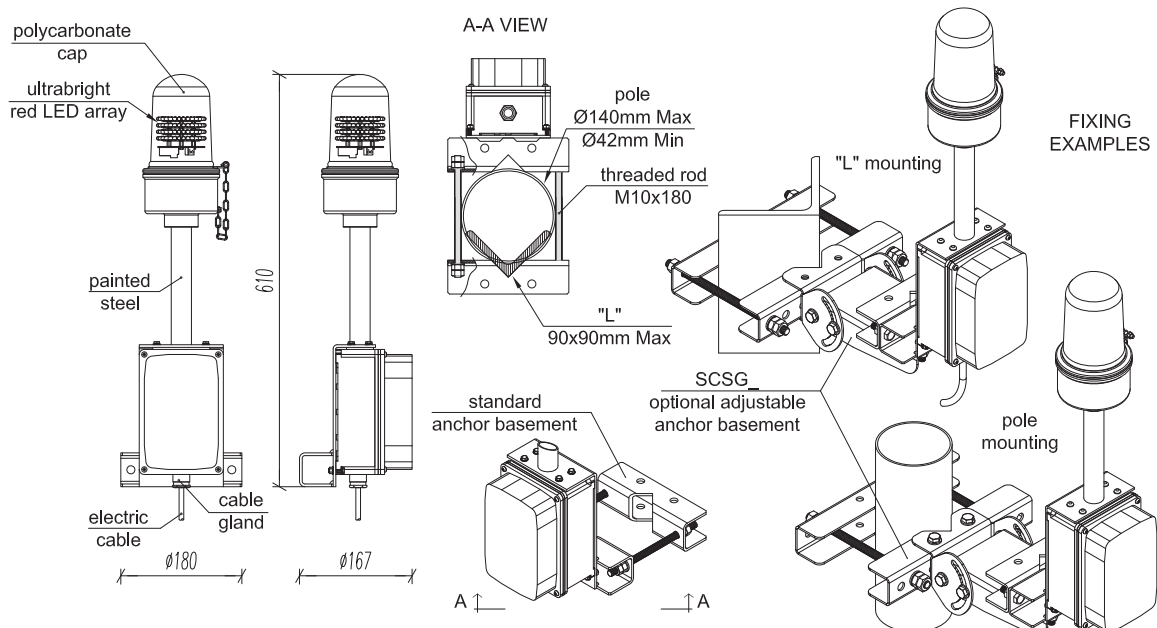
KEY FEATURES & BENEFITS

- designed and manufactured in Italy by Clampco Sistemi
- resistance to corrosion
- easy way for mounting – plug 'n' play connection
- the lowest weight in the market

SPECIFICATIONS

	SEGS12A32	SEGS24A32	SEGS48A32	SEGS23A32
Order Code				
Typical use	Night time			
Light source	LED			
Type of beacon	Steady			
Colour	Red according to CIE Chromaticity Boundary			
Light Intensity	>32.5 cd			
Horizontal coverage	360°			
Input voltage	12 Vdc	24 Vdc	48 Vdc	110 – 230 Vac
Power consumption	5 W	5 W	5 W	5 W
Average life	100 000 hours			
Temperature range	from -40 °C to +55 °C			
Protection degree	IP66			
Material of the body	Glass Reinforced Plastic red body (UL94-HB)			
Material of the transparent cap	Polycarbonate (UL94-V2)			
Connection	M/F connector IP68 for cable up to ø 9-6 mm			
Weight	3 Kg			
Fixing	Stainless steel anchor basement for poles with diameter up to 82 mm.			
Special Fixing SCSG_HDGS	Mounting hardware for "L" shaped sections (50x50 mm min.; 160x160 mm max.); circular profiles (min. ø = 48,3 mm; max. ø 219.1 mm). Adjustable fixing plate (± 60° on the horizontal plan).			

TECHNICAL DRAWINGS



Clampco Sistemi reserves the right to make changes at any time in order to supply the best product possible.