



2RRE45 250x50R

L47-A3 p



DATA SHEET

Replace H06-17 p

release. c - Revision 05-2014

Voltage	Frequency	Absorbed Power	Absorbed Current	Capacitor	Airflow	Rotation speed	Acoustic level	Rotation	Operational Temperature
V	Hz	W	A	µF	m³/h	RPM	dBA		Min/Max
230	50	156	0,68	6,0	1415	2775	73	R	-20°C / +70°C
230	60	230	1,02	6,0	1610	3160	76	R	-20°C / +70°C
230	50				832 CFM				-4°F / 158°F
230	60				947 CFM				-4°F / 158°F



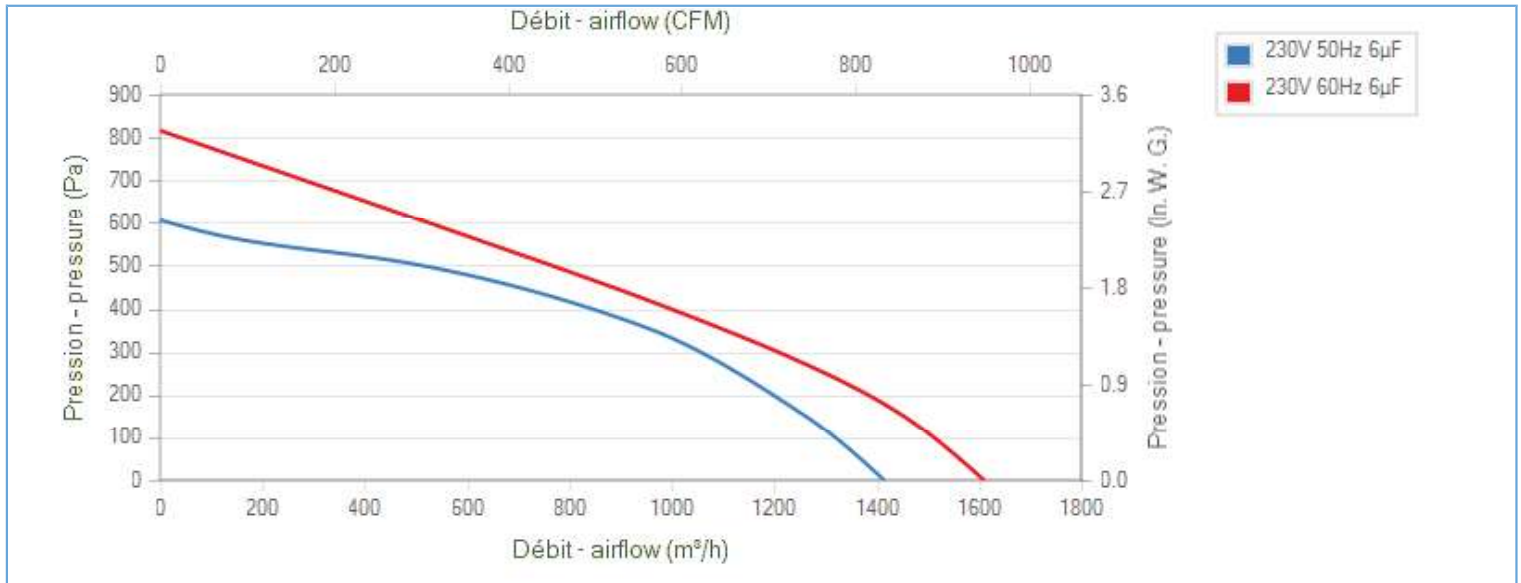
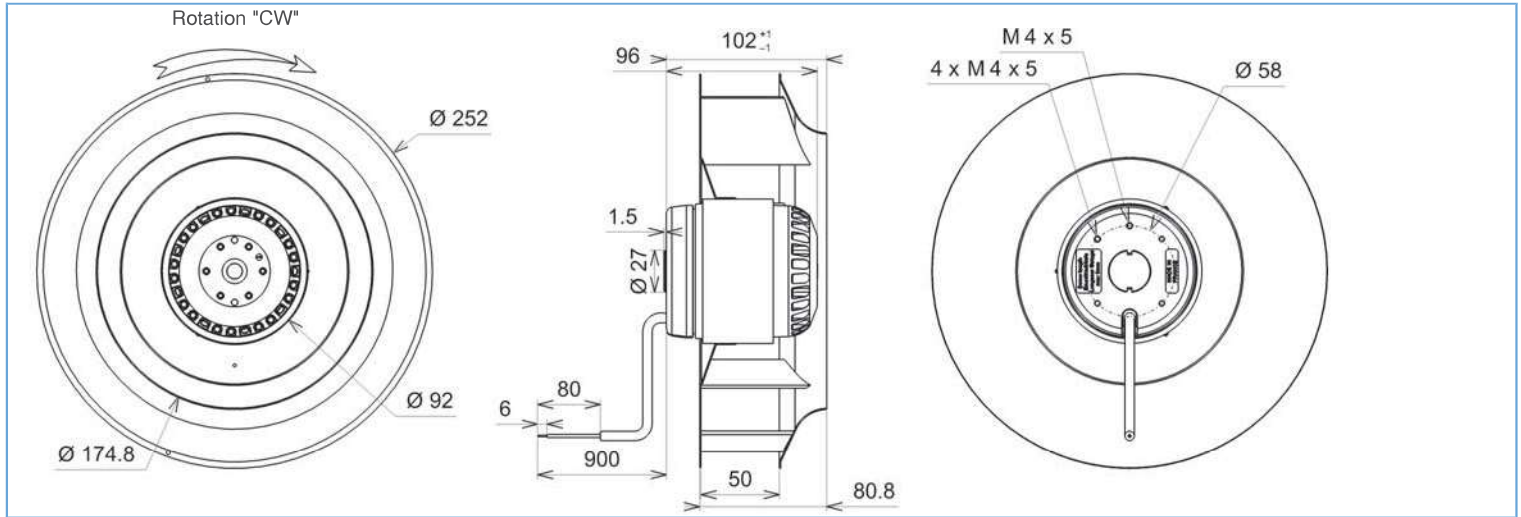
dBA : free blowing

ErP 2013

OK

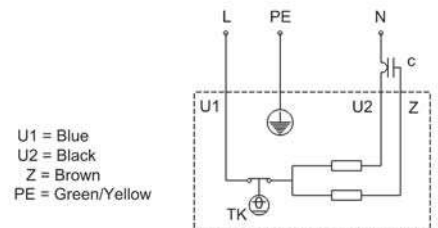
ErP 2015

OK



Description

- .Weight : 3,4 Kg
- .Ball bearing
- .Class F, thermally protected
- .IP44 protection depending on installation and position as per EN60034-5
- .G2.5 balancing
- .Rotor : black paint
- .Galvanized steel impeller





2RRE45 250x50R

L47-A3 p



DATA SHEET

release. c - Revision 05-2014

Replace H06-17 p

Data in accordance to ErP directive

Voltage	230	V
Frequency	50	Hz
Power	0,212	kW ⁽¹⁾
Airflow	949	m ³ /h ⁽¹⁾
Pressure	357	Pa ⁽¹⁾
Rotation speed	2620	RPM ⁽¹⁾

(1) at optimal efficiency point

	Actual	Request 2013	Request 2015
Overall efficiency (η)	44,5	40,4	44,4
Efficiency grade	62	58	62
Installation category	A		
Efficiency category	static		
Variable speed drive	No		
Specific ratio	1,00		

Designed for regular application according ErP directive EU 2009/125/EC

Accessories

Capacitor for 50Hz	19016
Capacitor for 60Hz	19016
Inlet cone	16234

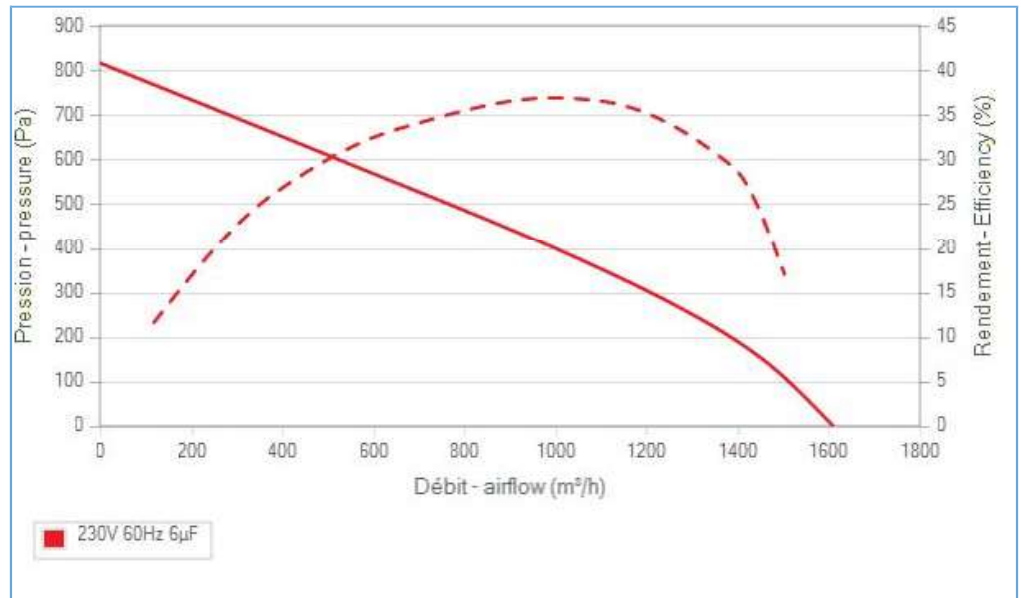
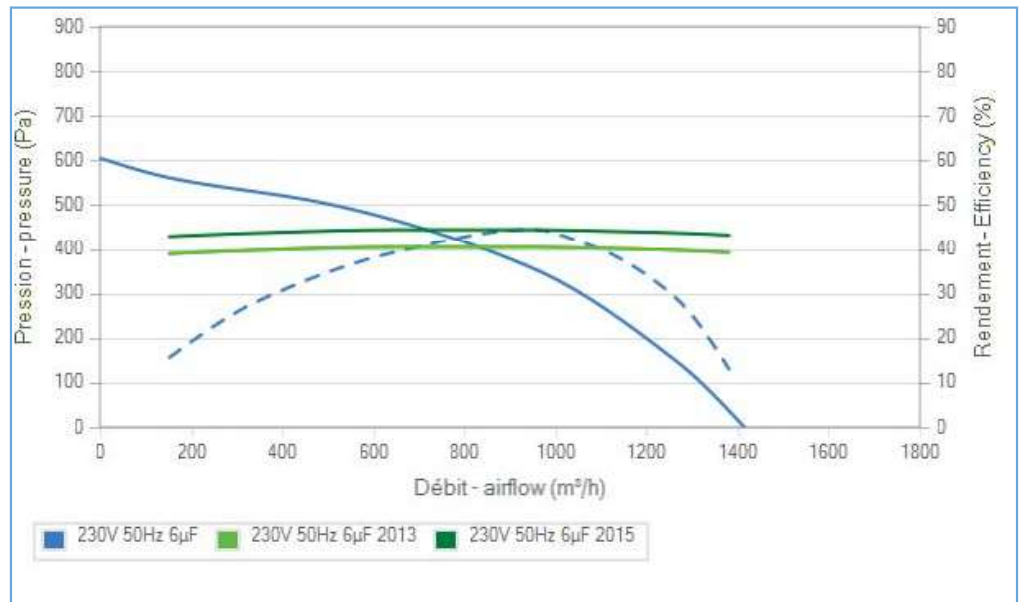
Measurement setup

16234

Documents

Manuel d'utilisation
www.ecofit.com/site/normes

Operating and recycling manual
www.ecofit.com/anglais/normes



Non contractual document. All specifications are subject to change without prior notice. Picture for information only.