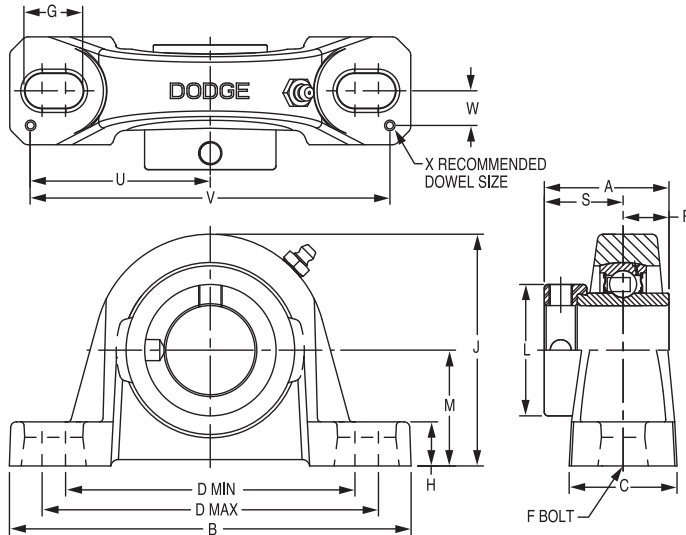
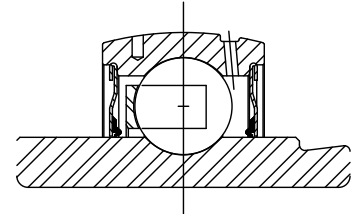




## SELECTION/DIMENSIONS

### Eccentric Collar Ball Bearings SXR AND SXRU NORMAL DUTY PILLOW BLOCK



Series	Shaft Size	Standard		Sealed for Life	
		Part No.	Description	Part No.	Description
208	1-1/2	<b>131813</b>	P2B-SXR-108	<b>049841</b>	P2B-SXR-108-NL
	40mm	@	P2B-SXR-40M	@	P2B-SXR-40M-NL
209	1-5/8	<b>131814</b>	P2B-SXR-110	<b>052762</b>	P2B-SXR-110-NL
	1-11/16	<b>131815</b>	P2B-SXR-111	<b>049848</b>	P2B-SXR-111-NL
	1-3/4	<b>131816</b>	P2B-SXR-112	@	P2B-SXR-112-NL
	45mm	<b>125661</b>	P2B-SXR-45M	@	P2B-SXR-45M-NL
210	1-15/16	<b>131817</b>	P2B-SXR-115	<b>052763</b>	P2B-SXR-115-NL
	2	<b>131818</b>	P2B-SXR-200	<b>049843</b>	P2B-SXR-200-NL
	50mm	<b>125662</b>	P2B-SXR-50M	@	P2B-SXR-50M-NL
211	2	<b>131339</b>	P2B-SXR-200L	@	P2B-SXR-200L-NL
	2-3/16	<b>131819</b>	P2B-SXR-203	@	P2B-SXR-203-NL
	55mm	<b>125663</b>	P2B-SXR-55M	@	P2B-SXR-55M-NL
212	2-1/4	<b>131820</b>	P2B-SXR-204	@	P2B-SXR-204-NL
	2-7/16	<b>131821</b>	P2B-SXR-207	<b>049844</b>	P2B-SXR-207-NL
	60mm	<b>125664</b>	P2B-SXR-60M	@	P2B-SXR-60M-NL
215	2-15/16	<b>131432</b>	P2B-SXR-215	@	P2B-SXR-215-NL
	75mm	@	P2B-SXR-75M	@	P2B-SXR-75M-NL
215 (SXRU)	2-15/16	<b>131433</b>	P2B-SXRU-215	@	P2B-SXRU-215-NL
	75mm	<b>125665</b>	P2B-SXRU-75M	@	P2B-SXRU-75M-NL

@ Assembled to order

FEATURES/BENEFITS PAGE B7-3	HOW TO ORDER/NOMENCLATURE PAGE B7-5	EASY SELECTION PAGE B7-8	ACCESSORIES PAGE B7-44
--------------------------------	--	-----------------------------	---------------------------

# SELECTION/DIMENSIONS



## Eccentric Collar Ball Bearings SXR AND SXRU NORMAL DUTY PILLOW BLOCK

Eccentric Collar Ball Bearing

Setscrew VSC Ball Bearing

Eccentric SXV Collar Ball Bearing

Take-Up Frames

Engineering

Part Number Index

Keyword Index

Series	Shaft Size	Weight lbs kg	A	B	C	D		F Bolt Dia.	G	H	J	L	M	R	S	U	V	W	X
						min.	max.												
208	1-1/2	5.3	2.12	7.25	1.93	5.18	5.88	1/2	0.91	0.93	4.19	2.38	2.13	0.75	1.37	3.26	6.52	0.69	0.12
	40mm	2.4	53.8	184.2	49.0	131.6	149.4	M12	23.1	23.6	106.4	60.5	54.0	19.1	34.8	82.8	165.6	17.5	3.0
209	1-5/8	6.6	2.13	7.44	2.00	5.50	6.19	1/2	0.90	0.75	4.28	2.50	2.13	0.75	1.38	3.38	6.76	0.69	0.12
	1-11/16	6.5																	
	1-3/4	6.4																	
	45mm	2.8	54.1	189.0	50.8	139.7	157.2	M12	22.9	19.1	108.7	63.5	54.0	19.1	35.1	85.9	171.7	17.5	3.0
210	1-15/16	7.4	2.25	8.12	2.25	6.00	6.68	5/8	1.02	0.75	4.53	2.75	2.25	0.75	1.50	3.69	7.38	0.81	0.12
	2	7.2																	
	50mm	3.2	57.2	206.2	57.2	152.4	169.7	M16	25.9	19.1	115.1	69.9	57.2	19.1	38.1	93.7	187.5	20.6	3.0
211	2	9.8	2.59	8.88	2.30	6.38	7.44	5/8	1.21	0.88	4.96	3.00	2.50	0.88	1.71	3.94	7.88	0.81	0.12
	2-3/16	9.3																	
	55mm	4.1	65.8	225.6	58.4	162.1	188.98	M16	30.7	22.4	126.0	76.2	63.5	22.4	43.4	100.1	200.2	20.6	3.0
212	2-1/4	11.6	2.74	9.50	2.37	6.88	7.94	5/8	1.21	0.88	5.40	3.31	2.75	0.90	1.84	4.25	8.50	0.88	0.12
	2-7/16	11.0																	
	60mm	5.0	69.6	241.3	60.2	174.8	201.7	M16	30.7	22.4	137.2	84.1	69.9	22.9	46.7	108.0	215.9	22.4	3.0
215	2-15/16	21.0	3.02	11.75	2.88	8.50	9.50	7/8	1.44	1.00	6.75	4.00	3.50	0.86	2.16	5.48	10.96	1.04	0.12
	75mm	9.3	76.7	298.5	73.2	215.9	241.3	M22	36.6	25.4	171.5	101.6	88.9	21.8	54.9	139.2	278.4	26.4	3.0
215 (SXRU)	2-15/16	21.0	3.02	11.75	2.88	8.50	9.50	7/8	1.44	1.00	6.50	4.00	3.25	0.86	2.16	5.48	10.96	1.04	0.12
	75mm	9.3	76.7	298.5	73.2	215.9	241.3	M22	36.6	25.4	165.1	101.6	82.6	21.8	54.9	139.2	278.4	26.4	3.0

FEATURES/BENEFITS PAGE B7-3	HOW TO ORDER/NOMENCLATURE PAGE B7-5	EASY SELECTION PAGE B7-8	ACCESSORIES PAGE B7-44
--------------------------------	--	-----------------------------	---------------------------