



- A PART OF ADDTECH GROUP

## DATA SHEET

Customer:	
Ref.:	
Order:	
Motor:	
Serial nr:	
Date:	03-04-2018

### ASYNCHRONOUS MOTOR 3D 250M2-4

#### Nameplate data:

Code: 112246

Type:	3D 250M2-4			IP55	F/B	Amb. temp.: Max. 40°		
kW	Hz	V	A	Rpm	Cos	Eff. 100%	Duty	IE.class
75,00	60	440 Δ	120,91	1776	0,87	0,9%	S1	IE1-(Eff2)

#### Description:

Mounting form:	B5
Bearing DE:	6314/C3
Bearing NDE:	6314/C3
Weight - Kg.:	477
Heater:	No Heater
PTC:	PTC mounted
Kgm <sup>2</sup> :	1,23
Sound press.-db(A):	73,0

#### Other:


#### Test data S1-duty, Amb.temp 40°C:

Voltage - V:	440
Frequency - Hz:	60
Power - kW:	90,00
Full load speed - Rpm:	1776
Full load current - A:	145,09
Full load power factor - Cos:	0,87
Locked rotor current - A:	1053,4
Locked rotor factor - A <sub>st</sub> /A <sub>n</sub> :	7,3

Efficiency 100% load - %:	93,6%
Efficiency 75% load - %:	
Efficiency 50% load - %:	
Full load torque - Nm:	484,2
Locked rotor torque - Nm:	1171,7
Locked rotor torque - Nm <sub>st</sub> /Nm <sub>n</sub> :	2,4
Max. Pull out torque - Nm:	1224,9
Max. Pull out torque. - Nm <sub>st</sub> /Nm <sub>n</sub> :	2,5

Over load/speed test	kW	Hz	V	A	Rpm
Over load 160% - 15sec.	120,00	50	400	212,80	1480
Over speed 125% - 2 min.	75	63	400	133,00	1850
H-Pot test voltage: 1800V			Temp. rise in stator:		

The motor is produced in accordance with following harmonized standards:

IEC60034-1, IEC60034-2, IEC60034-5, IEC60034-6, IEC60034-7, IEC60034-8, IEC60034-9  
IEC60034-12, IEC60034-14, IEC60034-30, IEC60072.

Additional specifications in accordance with:

RINA - GL - LRS - BV - DNV - ABS - KR - RR - CCS - CCC - RMRS.

#### Bevi Group:

BEVI AB, Sweden	www.bevi.se	sales@bevi.se	+46 499 271 00
BEVI Nord AB, Sweden	www.bevi.se	bevinord@bevi.se	+46 90 70 44 30
BEVI A/S, Denmark	www.bevi.dk	bevi@bevi.dk	+45 39 67 36 05
BEVI Norge A/S, Norway	www.bevi.no	info@bevi.no	+47 22 07 66 50
BEVI Finland OY AB, Finland	www.bevi.fi	info@bevi.fi	+358 9 2709 1210
BEVI Est Oü, Estonia	www.bevi.ee	bevi@bevi.ee	+372 6828 755
BEVI UAB, Lithuania	www.bevi.lt	info@bevi.lt	+370 5 2611 112
BEVI CHINA, China	www.bevi.cn	sales@bevi.cn	+86 21 5032 5200

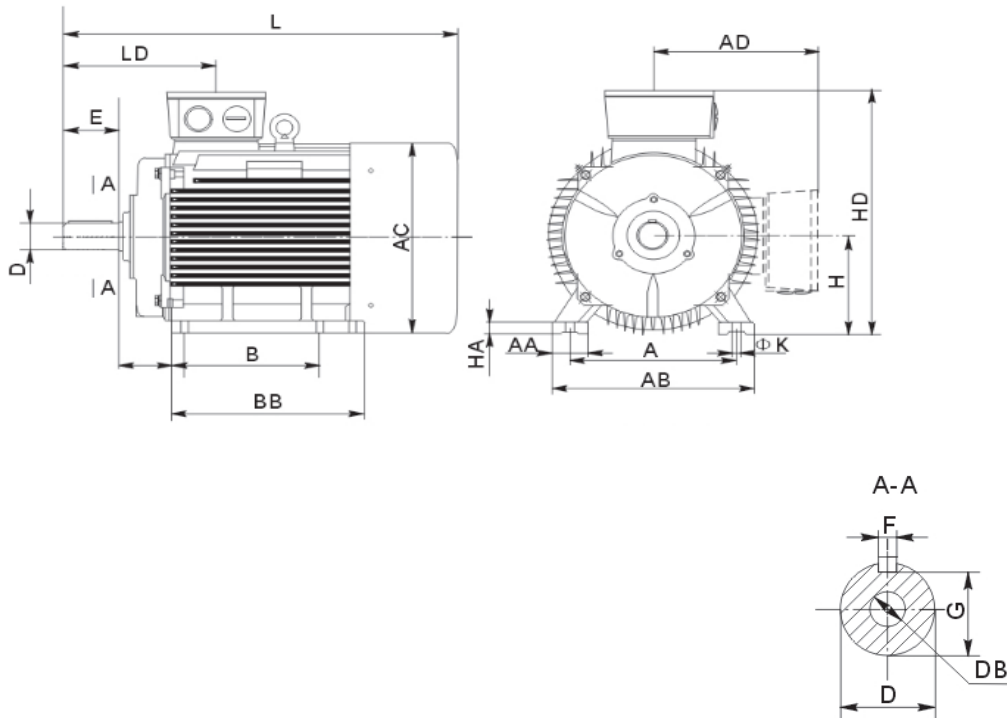


- A PART OF ADDTECH GROUP

## DATA SHEET

Customer:	
Ref.:	
Order:	
Motor:	
Serial nr:	
Date:	03-04-2018

### Foot mounted motor 3D 250M2-4 B3



A: 406	HD: 635	E: 140
B: 349	C: 168	D: 65
AB: 490	H: 250	G: 58
AC: 490	K: 24	DB: M20
AD: 380	L: 930	F: 18
L (V1): 1035		

#### Bevi Group:

BEVI AB, Sweden  
 BEVI Nord AB, Sweden  
 BEVI A/S, Denmark  
 BEVI Norge A/S, Norway  
 BEVI Finland OY AB, Finland  
 BEVI Est Oü, Estonia  
 BEVI UAB, Lithuania  
 BEVI CHINA, China

www.bevi.se  
 www.bevi.se  
 www.bevi.dk  
 www.bevi.no  
 www.bevi.fi  
 www.bevi.ee  
 www.bevi.lt  
 www.bevi.cn

sales@bevi.se  
 bevinord@bevi.se  
 bevi@bevi.dk  
 info@bevi.no  
 info@bevi.fi  
 bevi@bevi.ee  
 info@bevi.lt  
 sales@bevi.cn

+46 499 271 00  
 +46 90 70 44 30  
 +45 39 67 36 05  
 +47 22 07 66 50  
 +358 9 2709 1210  
 +372 6828 755  
 +370 5 2611 112  
 +86 21 5032 5200

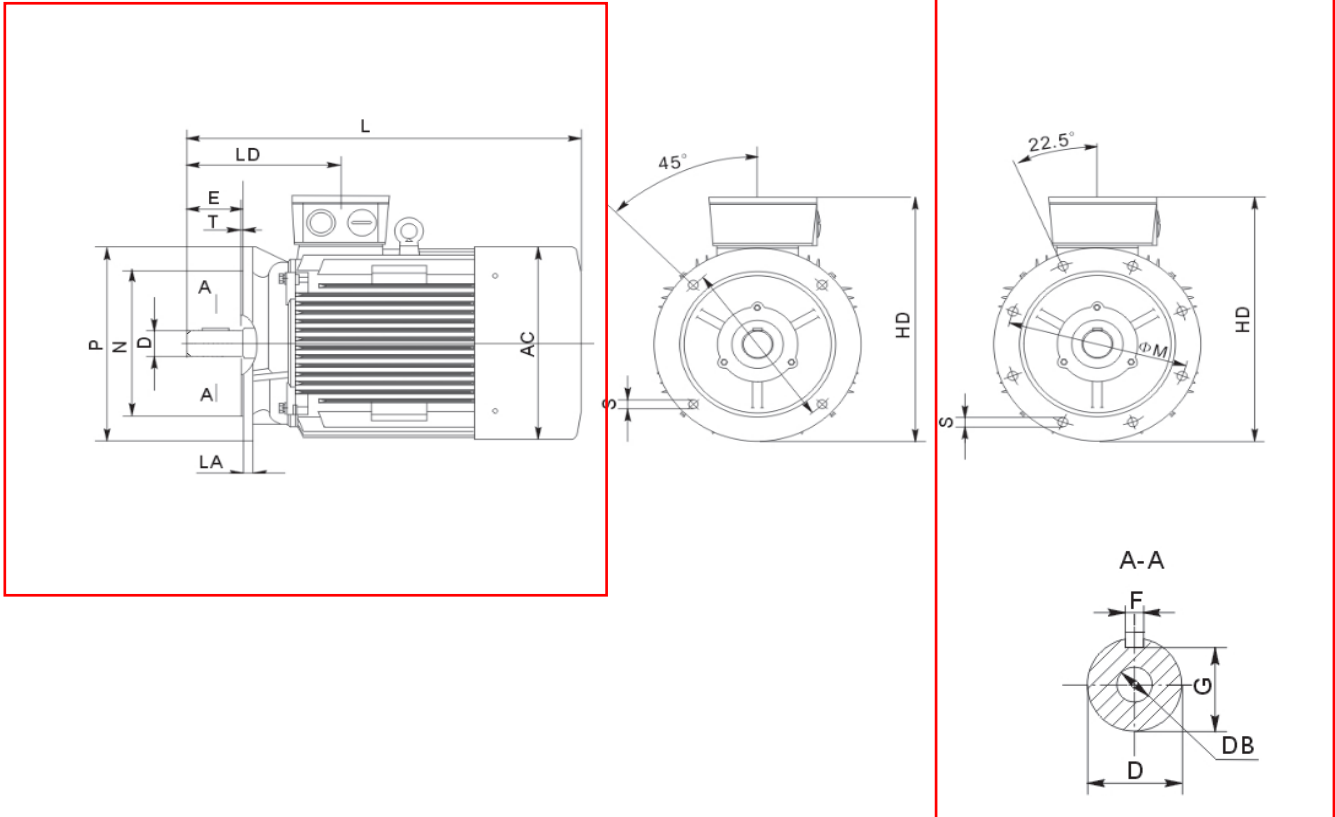


- A PART OF ADDTECH GROUP

## DATA SHEET

Customer:	
Ref.:	
Order:	
Motor:	
Serial nr:	
Date:	03-04-2018

### Flange mounted motor 3D 250M2-4 B5 (V1)



M: 500  
N: 450  
P: 550  
S: 19

HD: 635  
L: 930  
L (V1): 1035

E: 140  
D: 65  
G: 58  
DB: M20  
F: 18

#### Bevi Group:

BEVI AB, Sweden  
BEVI Nord AB, Sweden  
BEVI A/S, Denmark  
BEVI Norge A/S, Norway  
BEVI Finland OY AB, Finland  
BEVI Est Oü, Estonia  
BEVI UAB, Lithuania  
BEVI CHINA, China

[www.bevi.se](http://www.bevi.se)  
[www.bevi.se](http://www.bevi.se)  
[www.bevi.dk](http://www.bevi.dk)  
[www.bevi.no](http://www.bevi.no)  
[www.bevi.fi](http://www.bevi.fi)  
[www.bevi.ee](http://www.bevi.ee)  
[www.bevi.lt](http://www.bevi.lt)  
[www.bevi.cn](http://www.bevi.cn)

[sales@bevi.se](mailto:sales@bevi.se)  
[bevinord@bevi.se](mailto:bevinord@bevi.se)  
[bevi@bevi.dk](mailto:bevi@bevi.dk)  
[info@bevi.no](mailto:info@bevi.no)  
[info@bevi.fi](mailto:info@bevi.fi)  
[bevi@bevi.ee](mailto:bevi@bevi.ee)  
[info@bevi.lt](mailto:info@bevi.lt)  
[sales@bevi.cn](mailto:sales@bevi.cn)

+46 499 271 00  
+46 90 70 44 30  
+45 39 67 36 05  
+47 22 07 66 50  
+358 9 2709 1210  
+372 6828 755  
+370 5 2611 112  
+86 21 5032 5200

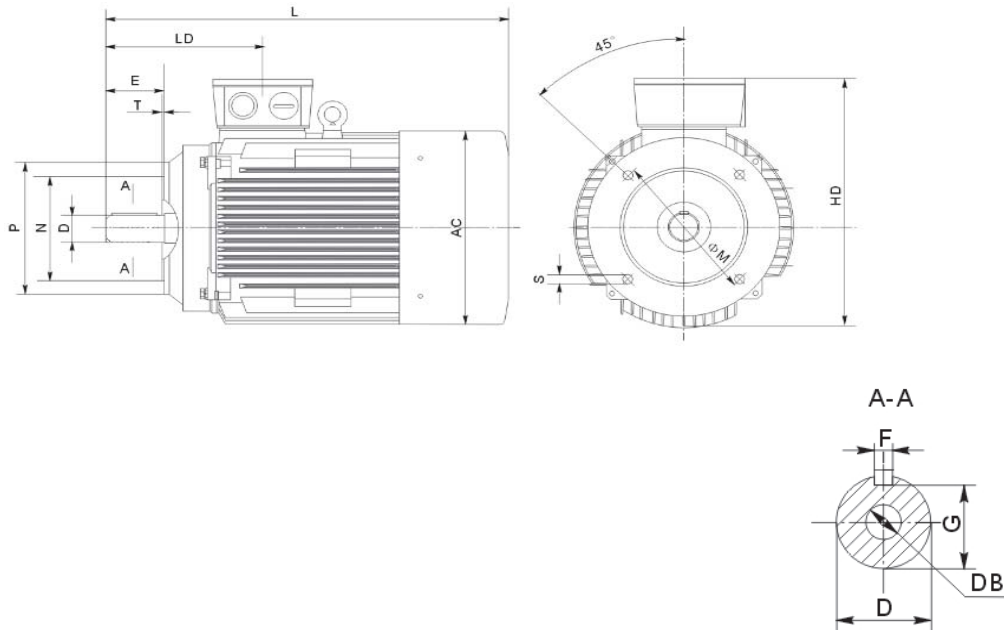


- A PART OF ADDTECH GROUP

## DATA SHEET

Customer:	
Ref.:	
Order:	
Motor:	
Serial nr:	
Date:	03-04-2018

### Flange mounted motor B14A & B14B



#### Flange type: B14A

M: 0  
N: 0  
P: 0  
S: 0

#### B14B

0  
0  
0  
0

HD: 635  
L: 930  
L (V1): 1035

E: 140  
D: 65  
G: 58  
DB: M20  
F: 18

#### Bevi Group:

BEVI AB, Sweden  
BEVI Nord AB, Sweden  
BEVI A/S, Denmark  
BEVI Norge A/S, Norway  
BEVI Finland OY AB, Finland  
BEVI Est Oü, Estonia  
BEVI UAB, Lithuania  
BEVI CHINA, China

www.bevi.se  
www.bevi.se  
www.bevi.dk  
www.bevi.no  
www.bevi.fi  
www.bevi.ee  
www.bevi.lt  
www.bevi.cn

sales@bevi.se  
bevinord@bevi.se  
bevi@bevi.dk  
info@bevi.no  
info@bevi.fi  
bevi@bevi.ee  
info@bevi.lt  
sales@bevi.cn

+46 499 271 00  
+46 90 70 44 30  
+45 39 67 36 05  
+47 22 07 66 50  
+358 9 2709 1210  
+372 6828 755  
+370 5 2611 112  
+86 21 5032 5200

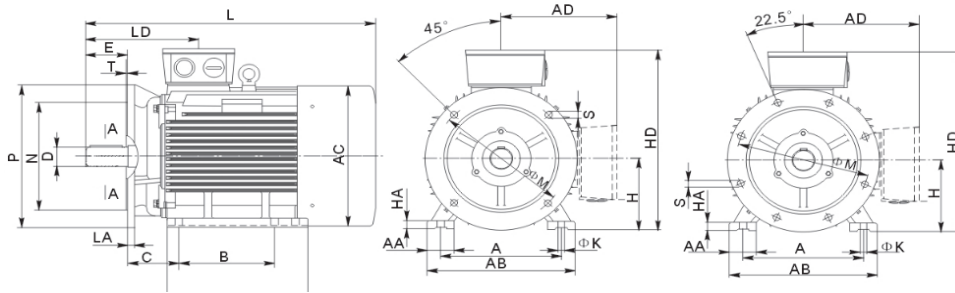


- A PART OF ADDTECH GROUP

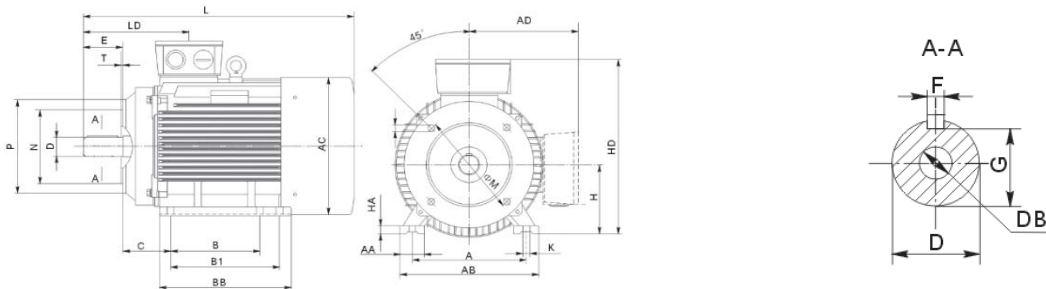
## DATA SHEET

Customer:	
Ref.:	
Order:	
Motor:	
Serial nr:	
Date:	03-04-2018

### Foot & flange mounted motor B3/B5



### B3/B14A & B3/B14B



#### Flange type: B5

M: 500  
N: 450  
P: 550  
S: 19

A: 406  
B: 349  
AB: 490  
AC: 490  
AD: 380

#### B14A

M: 0  
N: 0  
P: 0  
S: 0

HD: 635  
C: 168  
H: 250  
K: 24  
L: 930

#### B14B

M: 0  
N: 0  
P: 0  
S: 0

E: 140  
D: 65  
G: 58  
DB: M20  
F: 18

L (V1): 1035

#### Bevi Group:

BEVI AB, Sweden  
BEVI Nord AB, Sweden  
BEVI A/S, Denmark  
BEVI Norge A/S, Norway  
BEVI Finland OY AB, Finland  
BEVI Est Oü, Estonia  
BEVI UAB, Lithuania  
BEVI CHINA, China

www.bevi.se  
www.bevi.se  
www.bevi.dk  
www.bevi.no  
www.bevi.fi  
www.bevi.ee  
www.bevi.lt  
www.bevi.cn

sales@bevi.se  
bevinord@bevi.se  
bevi@bevi.dk  
info@bevi.no  
info@bevi.fi  
bevi@bevi.ee  
info@bevi.lt  
sales@bevi.cn

+46 499 271 00  
+46 90 70 44 30  
+45 39 67 36 05  
+47 22 07 66 50  
+358 9 2709 1210  
+372 6828 755  
+370 5 2611 112  
+86 21 5032 5200