

Reflex Level Gauge PS32

Type: LG40-CS

Application & Function

The Reflex Level Gauge is a direct water level indicator mainly used for steam boilers and/or pressure vessel. The unique Design of the glass reflects the water column gloomy and the steam range bright.

This product is in accordance to EU-directive 2014/68/EU. Applied policy acc. to EN 12952 / EN 12953 / AD2000. Moreover, it is approved to the policy of various international Marine classification companies.

Technical Basic Equipment

- Main Body in Carbon Steel
- Left-hand or right-hand model possible
- Drain Valve AV100 and Vent Plug G1/2"
- Shut-off Valve A120-CS with process connection DN20 or DN25
- Sight Glass acc. to DIN 7081

Options

- Shut-off Valve A140-CS for customized process connections
- Reflex Level Gauges in accordance to ASME-directive
- Main Body in stainless steel
- Optional Drain Valve Types
- Larger Connection- and sight- lengths possible on request
- Inclined Design of Body on request

Technical Data

Max. Pressure	PS		32bar	464,1 psi
Max. Temp.	TS		239°C	462,2°F
Shut-off Valve	Type	A120-CS	Data Sheet	D-09-D-36387-DE-00
Drain Valve	Type	AV100	Data Sheet	D-09-D-34162-DE-00

Reflex level gauge LG40-CS



Available Dimension*

Single Sight Length

Size	Visible Lengths (Dimension E)		Process connection length (Dimension A)				Article Number		
			Min.		Max.		DGRL	ASME	
1	2	120mm	4 ⁵ / ₇ "	180mm	7"	320mm	12 ³ / ₅ "	15-13920	15-13877
2	3	145mm	5 ⁵ / ₇ "	205mm	8"	345mm	13 ⁴ / ₇ "	15-13921	15-13878
3	4	170mm	6 ² / ₃ "	230mm	9"	370mm	14 ⁴ / ₇ "	15-13922	15-13879
4	5	200mm	7 ⁷ / ₈ "	260mm	10 ¹ / ₄ "	400mm	15 ³ / ₄ "	15-13923	15-13880
5	6	230mm	9"	290mm	11 ³ / ₇ "	430mm	17"	15-13924	15-13881
6	7	260mm	10 ¹ / ₄ "	320mm	12 ³ / ₅ "	460mm	18 ¹ / ₉ "	15-13925	15-13882
7	8	300mm	11 ⁴ / ₅ "	360mm	14 ¹ / ₆ "	500mm	19 ² / ₃ "	15-13926	15-13883
8	9	320mm	12 ³ / ₅ "	380mm	15"	520mm	20 ¹ / ₂ "	15-13927	15-13884
9	10	350mm	13 ⁷ / ₉ "	410mm	16 ¹ / ₇ "	550mm	21 ² / ₃ "	15-13928	15-13885

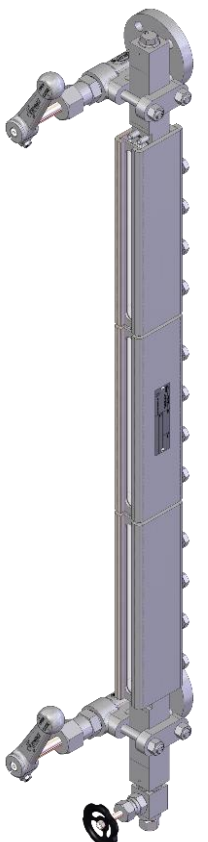


*Other Dimension on request

Article Number without shut-off & drain valve

Multiple Stacked Sight Lengths

Size	Sections	Visible Lengths (Dimension E)		Process connection length (A-Dimension)				Article Number		
				Min.		Max.		DGRL	ASME	
1	6	2	486mm	19 ¹ / ₇ "	544mm	21 ³ / ₇ "	724mm	28 ¹ / ₂ "	15-13971	15-13901
2	9	2	666mm	26 ² / ₉ "	724mm	28 ¹ / ₂ "	904mm	35 ³ / ₅ "	15-13972	15-13903
3	7	3	832mm	32 ³ / ₄ "	890mm	35"	1070mm	42 ¹ / ₈ "	15-13973	15-13904
4	9	3	1012mm	39 ⁵ / ₆ "	1070mm	42 ¹ / ₈ "	1250mm	49 ¹ / ₅ "	15-13974	15-13905
5	10	3	1102mm	43 ² / ₅ "	1160mm	45 ² / ₃ "	1340mm	52 ³ / ₄ "	15-13975	15-13906
6	8	4	1278mm	50 ¹ / ₃ "	1336mm	52 ³ / ₅ "	1516mm	59 ² / ₃ "	15-13976	15-13907
7	7	5	1404mm	55 ² / ₇ "	1462mm	57 ⁵ / ₉ "	1642mm	64 ² / ₃ "	15-13977	15-13908
8	10	4	1478mm	58 ¹ / ₅ "	1536mm	60 ¹ / ₂ "	1716mm	67 ⁵ / ₉ "	15-13978	15-13909
9	8	5	1604mm	63 ¹ / ₇ "	1662mm	65 ³ / ₇ "	1842mm	72 ¹ / ₂ "	15-13979	15-13910
10	6	7	1766mm	69 ¹ / ₂ "	1824mm	71 ⁴ / ₅ "	2004mm	78 ⁸ / ₉ "	15-13980	15-13911
11	8	6	1930mm	76"	1988mm	78 ¹ / ₄ "	2168mm	85 ¹ / ₃ "	15-13981	15-13912
12	9	6	2050mm	80 ⁵ / ₇ "	2108mm	83"	2288mm	90"	15-13982	15-13913
13	10	6	2230mm	87 ⁴ / ₅ "	2288mm	90"	2486mm	97 ⁷ / ₈ "	15-13983	15-13914
14	9	7	2396mm	94 ¹ / ₃ "	2454mm	96 ³ / ₅ "	2634mm	103 ⁵ / ₇ "	15-13984	15-13915
15	7	9	2548mm	100 ¹ / ₃ "	2606mm	102 ³ / ₅ "	2786mm	109 ² / ₃ "	15-13985	15-13916
16	10	7	2606mm	102 ³ / ₅ "	2664mm	104 ⁷ / ₈ "	2844mm	112"	15-13986	15-13917



*Other Dimension on request

Article Num-bem exkl. Absperr- und Ablassventilen

Notice: There is a dead space of 26mm between two stacked sight lengths. Devices with at least three sight lengths must brace on site by the customer!

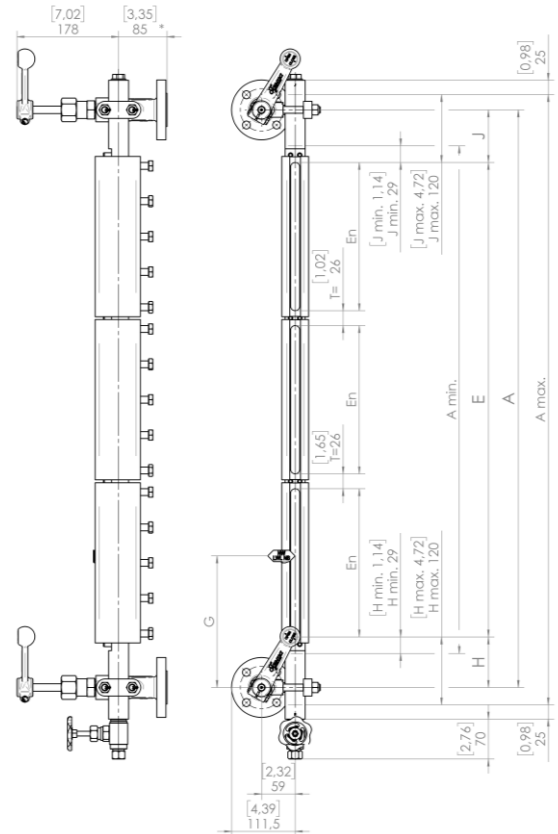
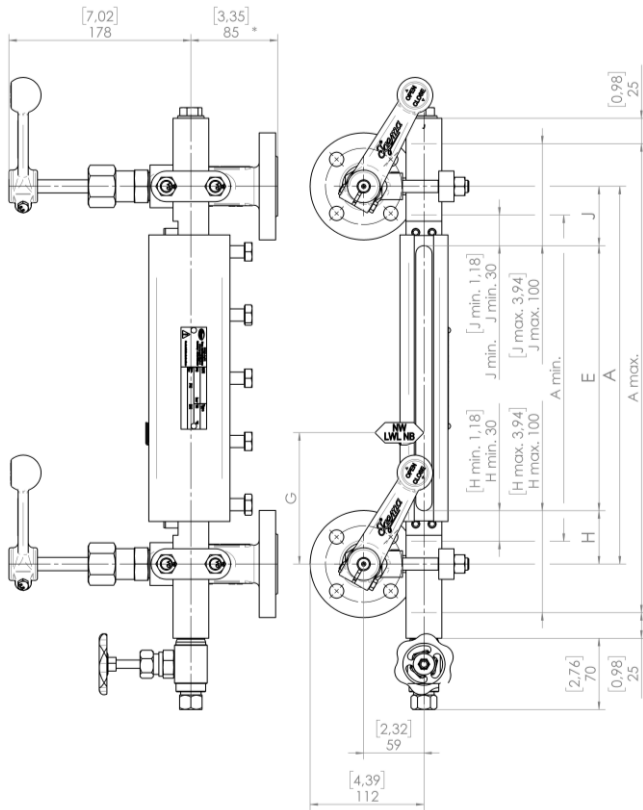


Single Sight Length

Multiple Stacked Sight Length

Shown as left-handed model

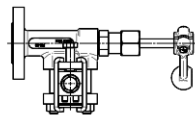
Shown as left-handed model



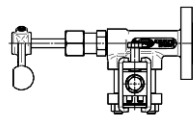
*Dimension differs with shut-off valve A140-CS, Lengths are shown in data sheet D-09-D-36387-DE-00.

Possible vent connection

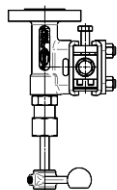
Rear left



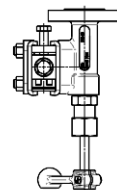
Rear right



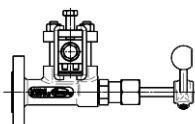
left



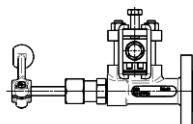
right



Front left



Front right



Equipment

Illustrated Reflex Level Gauges are equipped with Shut-Off Valve A120-CS and Drain Valve AV100.



A120-CS Shut Off Valve

Article Number: 15-12656-DN20/PN40

Article Number: 15-10773-DN25/PN40



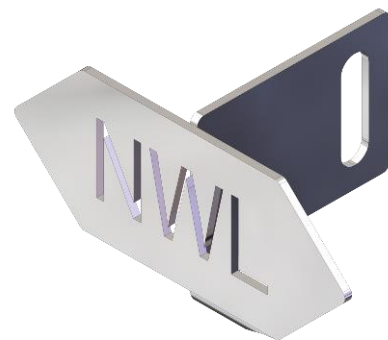
AV100 Drain Valve

Article Number: 40-11307

Accessory

Description	Marking	Article-No.
Water Level Mark	NW-LWL-NB	25-13645
Water Level Mark	HHWL	25-13717
Water Level Mark	HWCO	25-13697
Water Level Mark	HWL	25-13716
Water Level Mark	NWL	25-13698
Water Level Mark	LWL	25-13718
Water Level Mark	LWCO	25-13699
Water Level Mark	LLWL	25-13719
Water Level Mark will be attached with two round-head grooved pins Article Number: 40-00634		

Water Level Mark - NWL



Spare Parts

Pos.-No.	Description	Size	Article-No.	Quantity
1	Vent Plug G 1/2"	-	40-00329	1
2	Seal Ring 21 x 26 x 1,5 mm	-	40-00099	1
3	Pressure Plate	2	40-00422	nx1
3	Pressure Plate	3	40-00423	nx1
3	Pressure Plate	4	40-00424	nx1
3	Pressure Plate	5	40-00425	nx1
3	Pressure Plate	6	40-00426	nx1
3	Pressure Plate	7	40-00427	nx1
3	Pressure Plate	8	40-00428	nx1
3	Pressure Plate	9	40-00429	nx1
3	Pressure Plate	10	40-00430	nx1
4-5	Spare Part Set	2	15-13051	nx1
4-5	Spare Part Set	3	15-13058	nx1
4-5	Spare Part Set	4	15-13059	nx1
4-5	Spare Part Set	5	15-13060	nx1
4-5	Spare Part Set	6	15-13061	nx1
4-5	Spare Part Set	7	15-13062	nx1
4-5	Spare Part Set	8	15-13063	nx1
4-5	Spare Part Set	9	15-13064	nx1
4-5	Spare Part Set	10	15-13065	nx1

Spare Part Set consisting of 2x Sealing and 1x Reflex glass
n = Number of Sight Length

