

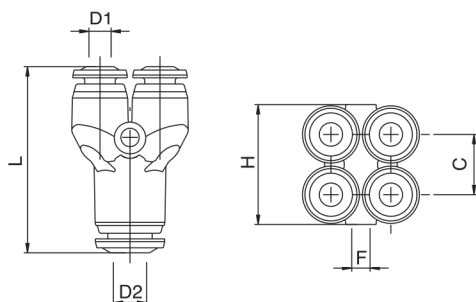
# 55330

RACCORDO MULTIPLO A Y INTERMEDIO - Y CONNECTOR MANIFOLD

## NEW



D1	D2	C	L	F	H	Conf. Pack.
4	- 4	10.8	33.5	3.3	21.5	25
4	- 6	10.8	34.5	3.3	21.5	25
6	- 6	13.3	39.5	3.3	26.8	25
6	- 8	13.3	40	3.3	26.8	25



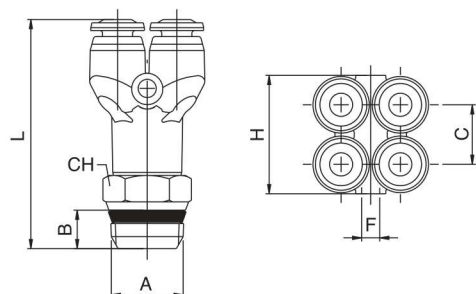
# 55340

RACCORDO MULTIPLO A Y ORIENTABILE MASCHIO SHORT - Y CONNECTOR ORIENTING MALE ADAPTOR (SHORT)

## NEW



Tubo Tube	A	B	C	L	H	CH	F	Conf. Pack.
4	- 1/8	5.5	10.8	39.5	21.5	11	3.3	25
4	- 1/4	7	10.8	42	21.5	14	3.3	25
6	- 1/8	5.5	13.3	46.5	26.8	11	3.3	25
6	- 1/4	7	13.3	48	26.8	14	3.3	25



# 55345

RACCORDO MULTIPLO A Y ORIENTABILE MASCHIO CILINDRICO - Y CONNECTOR ORIENTING MALE ADAPTOR (PARALLEL)

## NEW



Tubo Tube	A	B	C	L	H	CH	F	Conf. Pack.
4	- 1/8	6	10.8	40	21.5	13	3.3	25
4	- 1/4	8	10.8	42	21.5	16	3.3	25
6	- 1/8	6	13.3	47	26.8	13	3.3	25
6	- 1/4	8	13.3	49	26.8	16	3.3	25

